

Zeta Flame Proof Gong Bell

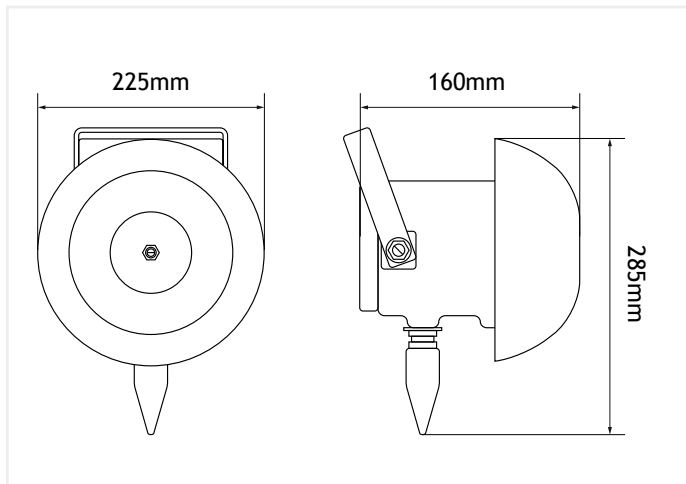
(ZTB8B/EXD/24)



The Zeta flame proof gong bell is an explosion proof gong bell with a terminal chamber.

A highly reliable electric circuit is housed inside to control the frequency of the gong operating spindle. The operating spindle and dish are made out of stainless steel thereby ensuring a long life.

The electric circuits are connected to terminals in the terminal chamber through nipple. The covers are provided with neoprene gaskets for weatherproof protection.



Model	ZTB8B/EXD
Part No.	41-075
Type Of Protection	Flame proof - Exd T6 IP 65
Area Classification	Zone 1 & 2
Apparatus Standard	IS - 2148
Material	Cast Aluminium LM 6
Weight	3 Kg (approx.)
Size	225(w) x 285(h) x 160(d) mm
IP Protection	IP 65 to IS 13947 / 93
Finish	Anti Corrosive Epoxy - Powder coated
Cable Entry	1 X 3/4" ET
Gasket	Neoprene
Hardware	Stainless steel
Voltage	24V DC or 110V / 230V AC - 50 Hz
Power Rating	12 Watt
Sound Output	112db
Terminals	4 x 4 mm ²
Earthing	External: 2 Nos - M6 Internal: 1 No. - M5