



RESETTABLE CALL POINTS INSTALLATION AND USER MANUAL

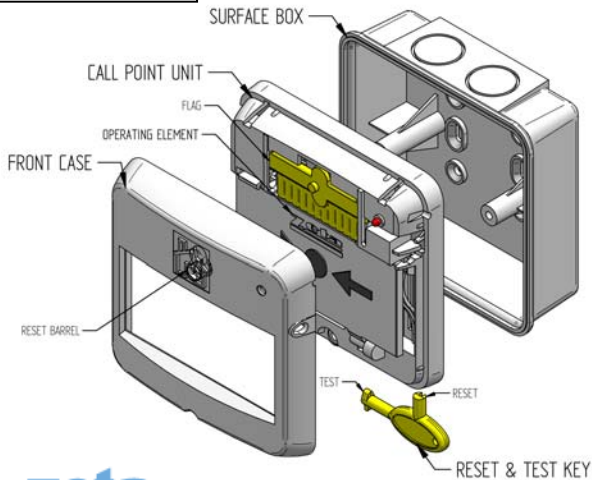


FULLY
COMPLIES
WITH EN54-11

ISSUE: 1
DATE: 15/8/05

Type A Call Point

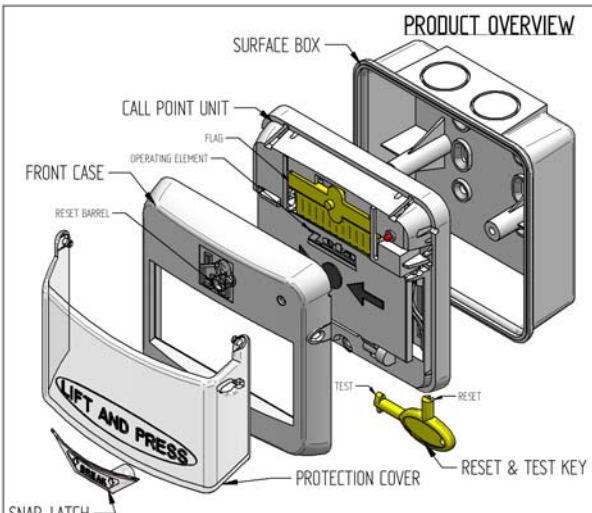
PRODUCT OVERVIEW



Model No ZT-CP1

Part No 43-301

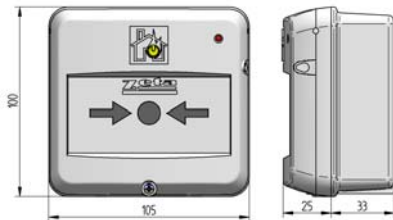
Type B Call Point



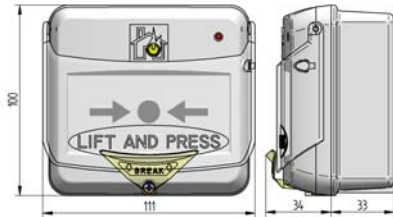
Model No ZT-CP2 Part No 43-300

Call Point Dimensions

TYPE A



TYPE B



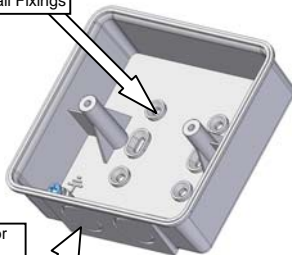
zeta
ALARM SYSTEMS

Mounting

FLUSH MOUNTING – The Surface Box can be discarded and the Call point mounted onto any UK standard single-gang back box with a minimum depth of 16mm.

SURFACE MOUNTING – The Surface Box can be fixed to the wall using standard wall fixings through a choice of the holes provided. Cable entry can be made through back wall or through side wall where indicated. Cable glands up to 20mm diameter can be fitted in area marked on product pointing vertically towards ceiling or floor

Standard Wall Fixings

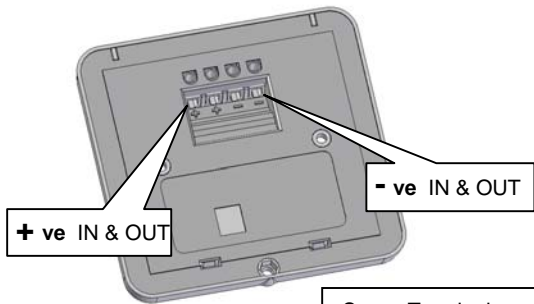


Drill up to 20mm for
Cable Glands

zeta
ALARM SYSTEMS

All Call Point Models

Wiring the Call Point



+ ve IN & OUT

- ve IN & OUT

Screw Terminals accept
0.28-2.5mm conductors

There is no direct contact
to the micro switch

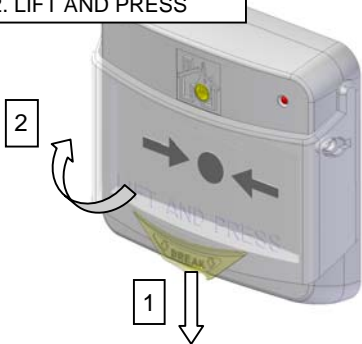


All Call Point Models

Operation

TYPE A
PRESS

TYPE B
1. BREAK SNAPLATCH
2. LIFT AND PRESS



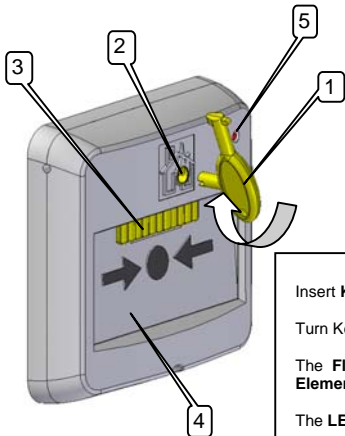
ACTIVATED



FLAG SHOWING
LED ON

All Call Point Models

Resetting the Call Point



Insert **Key (1)** into **Reset Barrel (2)**

Turn Key Clockwise.

The **Flag (3)** retracts and **Operating Element (4)** springs forward.

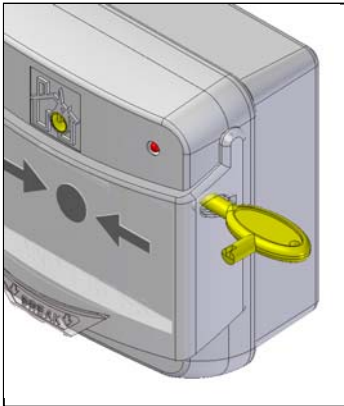
The **LED (5)** will turn off.

Unit is now reset



All Call Point Models

Test



TEST

1. Insert Key
2. Turn 90° Clockwise
3. LED will turn on
4. Return to stop



All Call Point Models

Fixing to Back Box & DIP Switch Setting (Addressable)

Fixing to back box

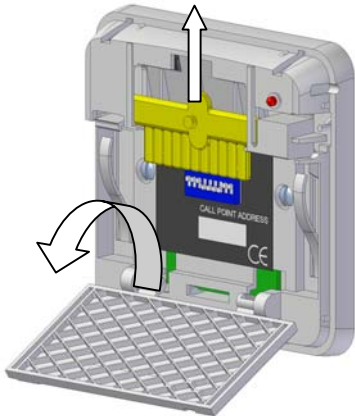
- 1.Remove Front Cover
- 2.Swing Operating Element down

Addressable only

- 3.Set Dipswitches and mark label with call point address

ALL Call Points

4. Fit mounting screws as shown & tighten
- 5.Lift Flag
- 6.Return Operating Element
- 7.Ensure unit operational by pressing operating element to activate, and then lift flag to return position
- 8.Fit Front Cover **ensuring Reset Barrel mates with post on Flag**



Dip Switch Address Settings --- 0 = ON 1 = OFF (Switch 8 not used)

ADDR	1	2	3	4	5	6	7	8
1	1	0	0	0	0	0	0	0
2	0	1	0	0	0	0	0	0
3	1	1	0	0	0	0	0	0
4	0	0	1	0	0	0	0	0
5	1	0	1	0	0	0	0	0
6	0	1	1	0	0	0	0	0
7	1	1	1	0	0	0	0	0
8	0	0	0	1	0	0	0	0
9	1	0	0	1	0	0	0	0
10	0	1	0	1	0	0	0	0
11	1	1	0	1	0	0	0	0
12	0	0	1	1	0	0	0	0
13	1	0	1	1	0	0	0	0
14	0	1	1	1	0	0	0	0
15	1	1	1	1	0	0	0	0
16	0	0	0	0	1	0	0	0
17	1	0	0	0	1	0	0	0
18	0	1	0	0	1	0	0	0
19	1	1	0	0	1	0	0	0
20	0	0	1	0	1	0	0	0
21	1	0	1	0	1	0	0	0
22	0	1	1	0	1	0	0	0
23	1	1	1	0	1	0	0	0
24	0	0	0	1	1	0	0	0
25	1	0	0	1	1	0	0	0
26	0	1	0	1	1	0	0	0
27	1	1	0	1	1	0	0	0
28	0	0	1	1	1	0	0	0
29	1	0	1	1	1	0	0	0
30	0	1	1	1	1	0	0	0
31	1	1	1	1	1	0	0	0
32	0	0	0	0	0	1	0	0
33	1	0	0	0	0	1	0	0
34	0	1	0	0	0	1	0	0
35	1	1	0	0	0	1	0	0
36	0	0	1	0	0	1	0	0
37	1	0	1	0	0	1	0	0
38	0	1	1	0	0	1	0	0
39	1	1	1	0	0	1	0	0
40	0	0	0	1	0	1	0	0
41	1	0	0	1	0	1	0	0
42	0	1	0	1	0	1	0	0

ADDR	1	2	3	4	5	6	7	8
43	1	1	0	1	0	1	0	0
44	0	0	1	1	0	1	0	0
45	1	0	1	1	0	1	0	0
46	0	1	1	1	0	1	0	0
47	1	1	1	1	0	1	0	0
48	0	0	0	0	1	1	0	0
49	1	0	0	0	1	1	0	0
50	0	1	0	0	1	1	0	0
51	1	1	0	0	1	1	0	0
52	0	0	1	0	1	1	0	0
53	1	0	1	0	1	1	0	0
54	0	1	1	0	1	1	0	0
55	1	1	1	0	1	1	0	0
56	0	0	0	1	1	1	0	0
57	1	0	0	1	1	1	0	0
58	0	1	0	1	1	1	0	0
59	1	1	0	1	1	1	0	0
60	0	0	1	1	1	1	0	0
61	1	0	1	1	1	1	0	0
62	0	1	1	1	1	1	0	0
63	1	1	1	1	1	1	0	0
64	0	0	0	0	0	0	1	0
65	1	0	0	0	0	0	1	0
66	0	1	0	0	0	0	1	0
67	1	1	0	0	0	0	1	0
68	0	0	1	0	0	0	1	0
69	1	0	1	0	0	0	1	0
70	0	1	1	0	0	0	1	0
71	1	1	1	0	0	0	1	0
72	0	0	0	1	0	0	1	0
73	1	0	0	1	0	0	1	0
74	0	1	0	1	0	0	1	0
75	1	1	0	1	0	0	1	0
76	0	0	1	1	0	0	1	0
77	1	0	1	1	0	0	1	0
78	0	1	1	1	0	0	1	0
79	1	1	1	1	0	0	1	0
80	0	0	0	0	1	0	1	0
81	1	0	0	0	1	0	1	0
82	0	1	0	0	1	0	1	0
83	1	1	0	0	1	0	1	0
84	0	0	1	0	1	0	1	0

ADDR	1	2	3	4	5	6	7	8
85	1	0	1	0	1	0	1	0
86	0	1	1	0	1	0	1	0
87	1	1	1	0	1	0	1	0
88	0	0	0	1	1	0	1	0
89	1	0	0	1	1	0	1	0
90	0	1	0	1	1	0	1	0
91	1	1	0	1	1	0	1	0
92	0	0	1	1	1	0	1	0
93	1	0	1	1	1	0	1	0
94	0	1	1	1	1	0	1	0
95	1	1	1	1	1	0	1	0
96	0	0	0	0	0	1	1	0
97	1	0	0	0	0	1	1	0
98	0	1	0	0	0	1	1	0
99	1	1	0	0	0	1	1	0
100	0	0	1	0	0	1	1	0
101	1	0	1	0	0	1	1	0
102	0	1	1	0	0	1	1	0
103	1	1	1	0	0	1	1	0
104	0	0	0	1	0	1	1	0
105	1	0	0	1	0	1	1	0
106	0	1	0	1	0	1	1	0
107	1	1	0	1	0	1	1	0
108	0	0	1	1	0	1	1	0
109	1	0	1	1	0	1	1	0
110	0	1	1	1	0	1	1	0
111	1	1	1	1	0	1	1	0
112	0	0	0	0	1	1	1	0
113	1	0	0	0	1	1	1	0
114	0	1	0	0	1	1	1	0
115	1	1	0	0	1	1	1	0
116	0	0	1	0	1	1	1	0
117	1	0	0	0	1	1	1	0
118	0	1	1	0	1	1	1	0
119	1	1	1	0	1	1	1	0
120	0	0	0	1	1	1	1	0
121	1	0	0	1	1	1	1	0
122	0	1	0	1	1	1	1	0
123	1	1	0	1	1	1	1	0
124	0	0	1	1	1	1	1	0
125	1	0	1	1	1	1	1	0
126	0	1	1	1	1	1	1	0

Technical Details – all Call points

WARNING – There is no direct connection to the microswitch

Termination – Screw terminals accept 0.28 to 2.5mm conductors

Maximum Current – 50 mA

Supply Voltage – 18-30 VDC

Materials – Body Plastics - Flame Retardant ABS / Operating Element – 20% TFPP / Snaplatch – PS Protection Cover – clear PC

To re-order new parts, please use these Part Nos

Part No	CODE	Description
43-300	ZT-CP2	CONVENTIONAL CALL POINT TYPE B- RESETABLE
43-301	ZT-CP1	CONVENTIONAL CALL POINT TYPE A - RESETABLE
43-302	ZT-CP2/F	CONV FLUSH CALL POINT TYPE B- RESETABLE (no surface box)
43-303	ZT-CP1/F	CONV FLUSH CALL POINT TYPE A- RESETABLE (no surface box)
43-305	ZT-CP2/AD	ADDRESSABLE CALL POINT TYPE B - RESETABLE
43-306	ZT-CP1/AD	ADDRESSABLE CALL POINT TYPE A - RESETABLE
43-307	ZT-CP2F/AD	ADDR FLUSH CALL POINT TYPE B - RESETABLE (no surface box)
43-308	ZT-CP1F/AD	ADDR FLUSH CALL POINT TYPE A - RESETABLE (no surface box)
43-310	ZT-CP2Y	CONV. YELLOW MAN. REL. CALL POINT TYPE B
43-312	ZT-CP2B	CONV. BLUE GAS ABORT. CALL POINT TYPE B
43-315	SNAP	PACK OF 5 REPLACEMENT SNAPLATCHES
43-320	CP-CV	REPLACEMENT CALL POINT COVER
43-325	CP-KY	REPLACEMENT CALL POINT TEST KEY

Zeta Alarms ® is a registered brand name of GLT Exports Ltd.

For further information about the products contained in this leaflet, or the entire range of fire detection and alarm systems, please visit contact GLT Exports Ltd, 72-78 Morfa Road, Swansea, UK, SA1 2EN. Tel: 01792 455175 www.zeta-alarms.co.uk