

Fyreye MkII Addressable Smoke Detectors with Built In Isolators (MKII-AOPI, MKII-AOHI)



MKII-AOPI









MKII-AOHI

Description

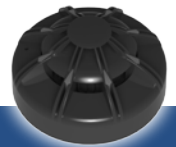
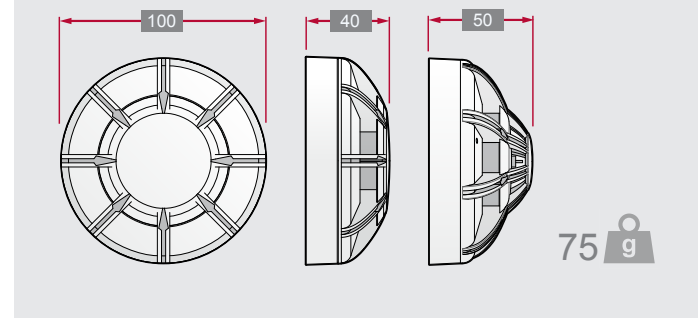
The Fyreye MkII optical smoke detector with built in isolator (MKII-AOPI) uses a pulsing IR LED & photodiode to detect IR scatter caused by smoke entering the chamber.

The detector is particularly suitable for detecting optically dense smoke, involving materials such as soft furnishings, PVC, plastic, foam and all similar materials which produce small visible particles (0.5 to 10µm).

Features

-  Designed to meet EN54 requirement
-  Lockable to base to stop unauthorised removal
-  Remote LED output
-  8 LEDs for improved, 360° visibility
-  Compatible with all Fyreye MkII bases
-  Addressed with dip switches or hand-held programmer

Dimensions (mm) & Weight (g)



Technical Specification

Model	MKII-AOPI	MKII-AOPI/B	MKII-AOHI	MKII-AOHI/B
Part No.	80-227	80-227/B	80-228	80-228/B
Detector Class	Optical Smoke		Combined Smoke & Heat A1	
Design Standard	EN54 parts 7 & 17		EN54 parts 5, 7 & 17	
Isolator Trigger	Voltage based with amber LED indication			
Operating Voltage	17 to 28V DC			
Quiescent Current	500µA			
Alarm Current @ 24V DC	5mA			
Operating Temperature	-10°C to +50°C			
Minimum Continuous Temp.	0°C			
Maximum Humidity	95% RH non-condensing			
Alarm Condition	0.09dB/m to 0.11dB/m		0.09dB/m to 0.12dB/m Fixed heat trigger @ 57°C	
Coverage	100m ²			
IP Rating	IP43			
Start-up Time	10 Seconds			
Size (with Base)	100 x 49 mm		100 x 59 mm	
Weight (with Base)	75g (133g)			
Remote Output	5mA at 24VDC			

Fyreye MkII Addressable Heat Detectors with Built In Isolators (MKII-AHFI, MKII-AHRI)



MKII-AHFI

MKII-AHRI

Description

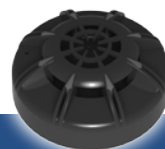
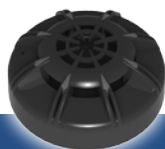
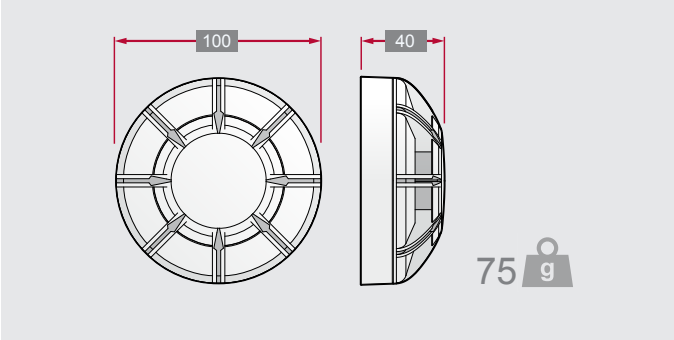
The Fyreye MkII Rate of Rise heat detector with built in isolator (MKII-AHRI) uses a thermistor arrangement to sense a quick rise in temperature and also a final threshold temperature of 57°C.

The Fyreye fixed heat detector with built in isolator (MKII-AHFI) has a single thermistor arrangement that gives an alarm at a temperature of 57°C, where the MKII-AHFI/CS90 gives an alarm above 86°C.

Features

- Designed to meet EN54 requirement
- Lockable to base to stop unauthorised removal
- Remote LED output
- 8 LEDs for improved, 360° visibility
- Compatible with all Fyreye MkII bases
- Addressed with dip switches or hand-held programmer

Dimensions (mm) & Weight (g)



Technical Specification

Model	MKII-AHFI	MKII-AHFI/B	MKII-AHFI/CS90	MKII-AHFI/CS90/B	MKII-AHRI	MKII-AHRI/B
Part No.	80-229	80-229/B	80-231	80-231/B	80-235	80-235/B
Detector Class	Fixed Heat Only A2S		Fixed Heat Only CS		Rate of Rise & Fixed Heat Detector A1R	
Design Standard	EN54 parts 5 & 17					
Isolator Trigger	Voltage based with amber LED indication					
Operating Voltage	17 to 28V DC					
Quiescent Current	500µA					
Alarm Current @ 24V DC	5mA					
Operating Temperature	-10°C to +50°C		-10°C to +80°C		-10°C to +50°C	
Min. Continuous Temp.	0°C					
Maximum Humidity	95% RH non-condensing					
Alarm Condition	Fixed heat trigger @ 57°C		Fixed heat trigger @ 90°C		Rate of rise or fixed heat trigger @ 57°C	
Coverage	50m ²					
IP Rating	IP43					
Start-up Time	10 Seconds					
Size (with Base)	100 x 49 mm					
Weight (with Base)	75g (133g)					
Remote Output	5mA at 24VDC					