

# ZT-CP4/AD Addressable Fyreye II Resettable Call Point, Surface Mount

## GENERAL

The **ZT-CP4/AD** models are designed for use as components of a compatible fire control system using appropriate analogue addressable devices.

## MODEL ZT-CP4/AD

This model provides both signalling of alarm to the monitoring control panel, and local led indication of activation. This MCP also includes on board isolation, providing short circuit protection of the loop.

## LED STATUS (TRI COLOUR)

The LED status is controlled by Fire Panel commands and can be set to pulse Green each time the device is polled, or continuous Red to indicate Fire. Yellow color is used to indicate isolator status. See Short Circuit Isolator Specification document GLT-315-6-2 for details.

## MOUNTING ARRANGEMENTS

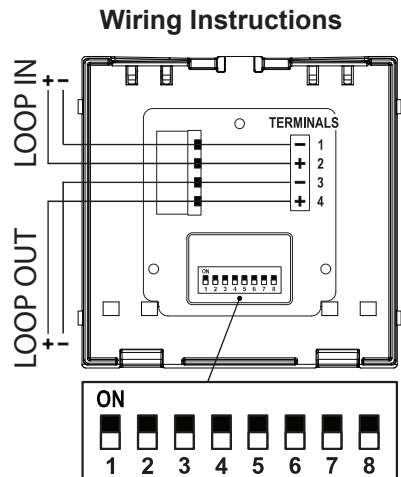
The **ZT-CP4/AD** can be supplied as either a flush, surface or both mounted device in a normal internal environment. It is not intended for use in an externally exposed or hazardous location (refer to your supplier for product recommendations should these applications be involved).

**Important Notes: please do not over tighten fixing screws. The use of lubricants, cleaning solvents or petroleum based products should be avoided.**

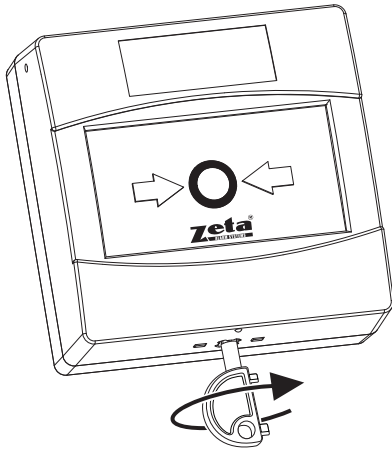
## INSTALLATION DETAILS - Please read carefully

Do not connect circuit wiring to this call point, other field devices or the control panel, or apply power to any portion of the system until all necessary wiring polarity, continuity and insulation tests have been performed. All wiring must conform to applicable local and national regulations and codes of practice.

1. Terminate field wiring in the Push Fit Terminal Connector as shown taking care to maintain continuity of any shielding provided.  
Positive (+) communication loop: Terminals 2 & 4  
Negative (-) communication loop: Terminals 1 & 3  
(See table below).
2. Set the call point address according to the designated project drawings by using a flat bladed screwdriver to turn the two rotary switches, selecting the desired number between 1 and 250 (See table below).
3. Plug the Terminal connector onto the rear of the call point as shown.
4. Fix call point to mounting box taking care that all cables are secure and have sufficient clearance. Locate glass or flexible element in the front of the call point and close cover as shown.

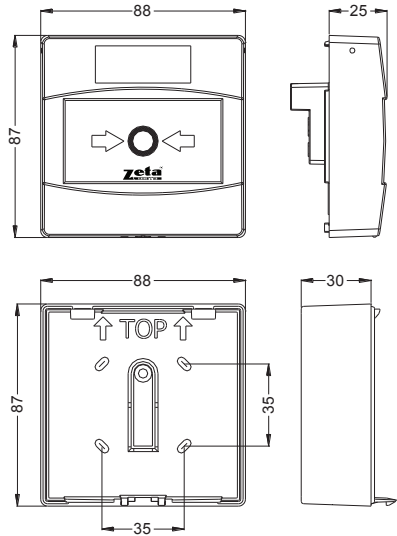


## Reset Instructions



Turn clockwise to reset

## Dimensions (mm)



## Surface Mounting

Fix the surface back box to a flat vertical surface using at least two of the four mounting holes provided. The back box may be drilled to allow cable access as required and a 1,8mm hole is already provided at the rear.

## Technical Specifications

|                       |                                   |
|-----------------------|-----------------------------------|
| Input Voltage         | 17-28V                            |
| Quiescent Current     | 600µA Maximum                     |
| Alarm Current         | 2.5mA Maximum                     |
| Cable Termination     | 0,5 - 2,5 mm <sup>2</sup>         |
| Operating Temperature | -20 / 60 °C                       |
| Max Humidity          | 95%RH Non-Condensing              |
| IP rating             | 21                                |
| Material              | ABS/Polycarbonate/PA6+glass fiber |



**zeta**<sup>®</sup>  
TELECOM  
 Zeta Alarms Limited

Detection House, 73-75 Morfa Road, Swinrock, SA1 2EN  
 Telephone: +44 (0)1792 455 175  
 Email: info@zetaalarmssystem.com

22  
 2831-CPR-F4782  
22  
 0832-UKCA-CPR-F1455

EN 54-11:2001+ A1:2005  
 EN 54-17:2005

Zeta CP4/AD  
 Addressable Fyreye II  
 Resettable Call Point,  
 Indoor  
 Red series only



