

For further information, including directional A-weighted sound output information please see doc GLT-204-6-3 Xtratone Sounder operation Data, available from the manufacturer.

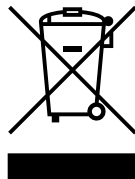
Troubleshooting

Problem	Possible Cause
Sounder Circuit Showing Fault	Check sounder wiring has correct polarity
	Check that correct EOL is fitted (consult panel manual)
	Check that cables have not been swapped (eg out +ve wire connected to out -ve terminal)
	Check sounder fuse at control panel
No Sound Output from Sounder	Check sounder wiring has polarity correct
	Check sounder fuse at control panel

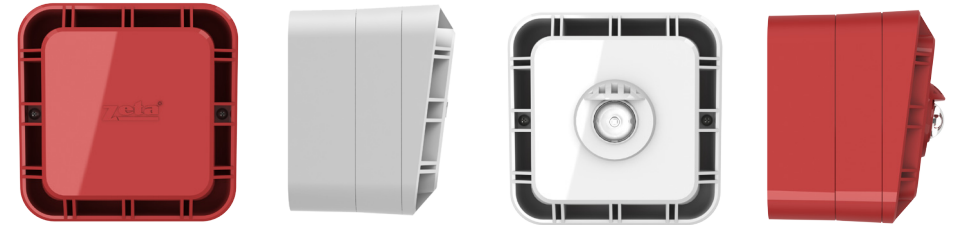
Other Information

Like all electronic equipment, at the end of it`s working life this unit should not be disposed of in a refuse bin.

It should be taken to a local reprocessing site as per the guidelines of the WEEE directive, for correct disposal.



CONVENTIONAL XTRATONE SOUNDER & SOUNDER BEACON INSTALLATION MANUAL



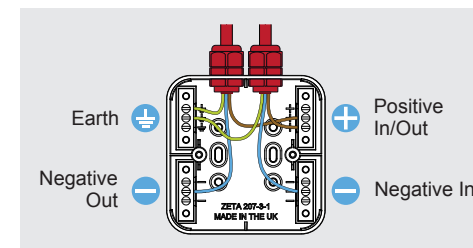
Description

The new Xtratone conventional sounder is a small, high output device, suitable for indoor wall mounted applications.

It is available in red or white with termination of field wiring made to the backbox for a clean first fix.

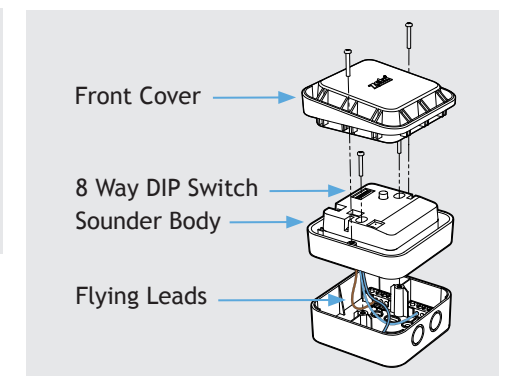
Connections - First Fix

The loop wiring connects to terminals in the back box.



Final Fix

- Fix the BROWN sounder flying lead to the Loop +ve
- Fix the first BLUE sounder flying lead to the LEFT Loop -ve terminal
- Fix the second BLUE sounder flying lead to the RIGHT Loop -ve terminal.
- Screw the sounder body to the backbox.
- Set the sounder Tone (See Tone setting)
- Fit the sounder front cover



Tone Setting

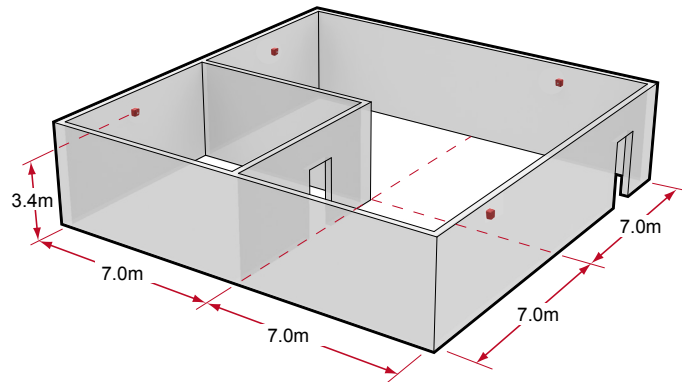
Tone	SW1	SW2	SW3	SW4	SW5	SW6	SW7	SW8	Tone Description	Pattern	Frequency	Rate	Current (mA) Sounder Only	Current (mA) Sounder Beacon	dBA (Reverb. Chamber)
0*	ON	ON	ON	ON	ON	ON	ON	ON	BS Fire (Default Zeta tone)	Alternating	800 & 970	1Hz (500ms-500ms)	8	59	102.0 (+/- 2dB)
1	OFF	ON	ON	ON	ON	ON	ON	ON	BS Fire	Alternating	800 & 970	2Hz (250ms-250ms)	8	58	TBC
2	ON	OFF	ON	ON	ON	ON	ON	ON	BS Fire	Sweep	800 to 970	1Hz (1 per second)	8	58	TBC
3	OFF	OFF	ON	ON	ON	ON	ON	ON	BS Fire	Sweep	800 to 970	7Hz (7 per second)	8	58	TBC
4	ON	ON	OFF	ON	ON	ON	ON	ON	BS Fire	Sweep	800 to 970	50Hz (50 per second)	8	58	TBC
5	OFF	ON	OFF	ON	ON	ON	ON	ON	German fire (DIN 33 404)	Sweep	1200 to 500	1Hz	8	58	TBC
6	ON	OFF	OFF	ON	ON	ON	ON	ON	French fire (NFS 32-001)	Alternating	554 & 440	100ms-400ms	8	58	TBC
7*	OFF	OFF	OFF	ON	ON	ON	ON	ON	Dutch fire (NEN 2575)	Slow whoop	500 to 1200	3.5s sweep, 0.5 s silence, then repeat	8	58	TBC
8	ON	ON	ON	OFF	ON	ON	ON	ON	PFEER Toxic Gas	Continuous	970	Steady	8	58	TBC
9	OFF	ON	ON	OFF	ON	ON	ON	ON	PFEER alert	Intermittent	970	0.5Hz (1s On/1s Off)	8	48	TBC
10	ON	OFF	ON	OFF	ON	ON	ON	ON	ISO-8201 (steady pulse)	Intermittent	970	3 x 500ms pulses, 1.5s silence, then repeat	8	48	TBC
11	OFF	OFF	ON	OFF	ON	ON	ON	ON	ISO-8201 (Positive sweep)	Intermittent	800 to 970	3 x 500ms pulses, 1.5s silence, then repeat	8	48	TBC
12	ON	ON	OFF	OFF	ON	ON	ON	ON	ISO-8201 (Negative sweep)	Intermittent	970 to 800	3 x 500ms pulses, 1.5s silence, then repeat	8	48	TBC
13	OFF	ON	OFF	OFF	ON	ON	ON	ON	General Purpose	Continuous	2850	Steady	8	48	TBC
14	ON	OFF	OFF	OFF	ON	ON	ON	ON	General Purpose	Sweep	2400 to 2850	1 Hz	8	48	TBC
15	OFF	OFF	OFF	OFF	ON	ON	ON	ON	General Purpose	Sweep	2400 to 2850	7 Hz	8	48	TBC
16	ON	ON	ON	ON	OFF	ON	ON	ON	General Purpose	Sweep	2400 to 2850	50 Hz	8	48	TBC
17	OFF	ON	ON	ON	OFF	ON	ON	ON	General Purpose	Alternating	2400 & 2850	2 Hz	8	48	TBC
18	ON	OFF	ON	ON	OFF	ON	ON	ON	General Purpose	Intermittent	970	0.8Hz (250ms On/1s Off)	8	48	TBC
19	OFF	OFF	ON	ON	OFF	ON	ON	ON	Swedish Air Raid	Intermittent	660	3.3Hz (150ms On/150msOff)	8	48	TBC
20	ON	ON	OFF	ON	OFF	ON	ON	ON	Swedish All Clear	Continuous	660	Steady	8	48	TBC
21	OFF	ON	OFF	ON	OFF	ON	ON	ON	Swedish General Purpose	Intermittent	660	1Hz (500ms-500ms)	8	48	TBC

Any other switch setting gives tone 0

*Approved tone

Beacon Coverage

The Xtratone conventional sounder with beacon (ZXTB/R & ZXTB/W) has a coverage pattern of W 3.4 - 7.0 and a flash rate of 0.5 Hz.



Technical Data

Model	ZXT/R	ZXT/W	ZXTB/R	ZXTB/W
Part Number	42-606	42-607	42-608	42-609
Colour	Red	White	Red	White
Flash Colour	N/A	N/A	White flash	White flash
Flash Rate	N/A	N/A	0.5 Hz	0.5 Hz
Flasher Coverage	N/A	N/A	W-3.4-7.0	W-3.4-7.0
Sounder Output	102dB @1m +/- 2			
Operating Voltage	17-30 V DC			
Quiescent Current	0 mA			
Alarm Current	10 mA max	10 mA max	70 mA max	70 mA max
Sounder Type	Type A (Indoor use)			
Operating Temperature	-10°C to 55°C			
Max Humidity	95% RH Non Condensing			
IP Rating	IP21 C			
Size mm (with Backbox)	105 x 105 x 49 (105 x 105 x 82)		105 x 105 x 56 (105 x 105 x 89)	
Weight (with Backbox)	200g		210g	

Minimum sound output 73.7dB under Anechoic conditions