

ADDRESSABLE RAPTOR SOUNDER & SOUNDER BEACON INSTALLATION MANUAL



Description

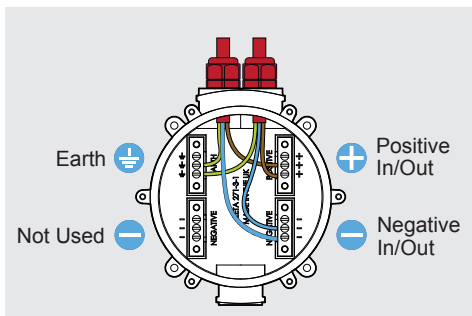
The Raptor addressable sounder is a large weatherproof horn sounder suitable for many indoor & outdoor applications.

It is available in red or white and has a selection of 16 tones, selectable at the control panel

Termination of field wiring is made to the backbox for a clean first fix.

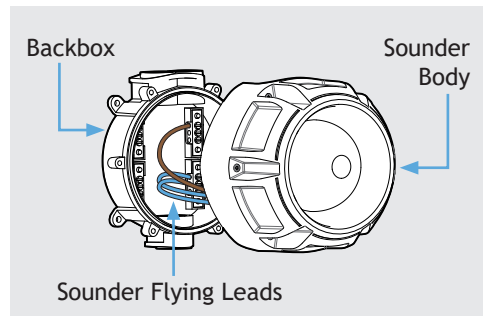
Connections - First Fix

The loop wiring connects to terminals in the back box.



Final Fix

- Set the device address (see address setting)
- Fix the BROWN sounder flying lead to the POSITIVE terminal
- Fix the BLUE sounder flying leads to the RIGHT NEGATIVE terminal
- Screw the sounder body to the backbox.



Address Setting

This sounder is addressed via an 8 way dip switch. All 8 switches are used for the address setting. It is a binary arrangement, with ON being the zero position.

Switch	1	2	3	4	5	6	7	8
Value when ON	0	0	0	0	0	0	0	0
Value when Off	1	2	4	8	16	32	64	128

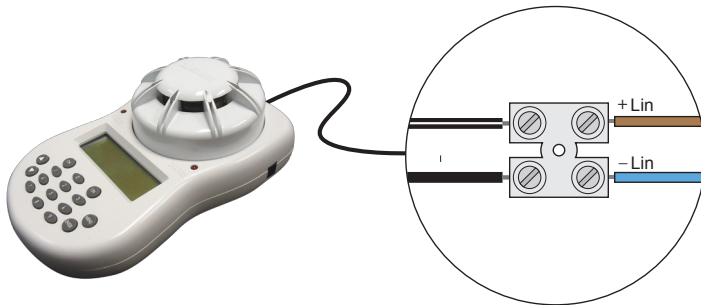
The Switch settings can be calculated using these numbers. EG 21 = 16 + 4 + 1, so Switches 1, 3 & 5 are off, all the others are on. The maximum address is 250. For convenience a table of all address settings can be found at the end of the manual.

Alternative Soft Addressing Option

Using our hand held MkII programmer (Part No: 48-004), the sounder can be addressed electronically.

Step 1: Set all addresses to zero 0000000

Step 2: Connect leads to LOOP IN+ and LOOP IN- as shown below



Step 3: Follow the procedure as described in the handheld programmer manual.

NOTE: When a device is soft addressed as above, the address CANNOT BE CHANGED by mechanical setting of the dip-switch. In order to re-enable the dip-switch the unit needs to be set electronically back to zero first.

Protocol Usage

The Raptor Sounder and sounder beacon work on the Zeta Fyreye II protocol only. The flasher (if fitted) can be triggered independently to the sounder, if the control panel supports that function.

Sounder Synchronisation

The Raptor sounders support the Fyreye II sounder synchronisation mechanism.

Alarm Tone Selection

The Raptor sounder supports alarm tone selection. IE, the installer can decide which alarm tone ALL the sounders will use. The alarm tone can be set for the whole system via the control panel. One of 16 tones can be chosen for the alarm tone.

No	Tone Description	Pattern	Frequency	Rate
0*	BS Fire (Default Zeta tone)	Alternating	800 & 970	1Hz (500ms-500ms)
1	BS Fire	Alternating	800 & 970	2Hz (250ms-250ms)
2	BS Fire	Sweep	800 to 970	1Hz (1 per second)
3	BS Fire	Sweep	800 to 970	7Hz (7 per second)
4	BS Fire	Sweep	800 to 970	50Hz (50 per second)
5	BS Fire	Alternating	510 & 610	1Hz (500ms-500ms)
6	German fire (DIN 33 404)	Sweep (DIN)	1200 to 500	1Hz
7	French fire (NFS 32-001)	Alternating	554 & 440	100ms-400ms
8*	Dutch fire (NEN 2575)	Slow whoop	500 to 1200	3.5s sweep, 0.5 s silence, then repeat
9	PFEER Toxic Gas	Continuous	970	Steady
10	PFEER alert	Intermittent	970	0.5Hz (1s On/1s Off)
11	Reserved	-	-	-
12	Reserved	-	-	-
13	Reserved	-	-	-
14	Reserved	-	-	-
15	Reserved	-	-	-

*Approved Tones

See Document GLT-279-6-3 for further operational data.

Selecting a Reserved tone will cause the sounder to play tone 0. The default alarm tone will be tone 0.

Other Tones

The Raptor has 3 tones that can be triggered in normal running:-

- Alarm Tone - Selectable - see list above.
- Alert tone - 970Hz intermittent. 0.5s on, 0.5s off
- Emergency - 970Hz intermittent: 3 x 500ms pulses, 1.5s silence, then repeat

The availability of these tones will depend on the Control panel used.

Flasher Setting

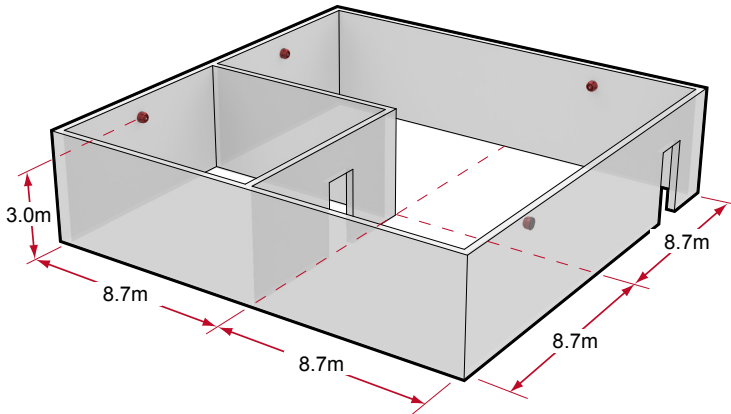
The Raptor has a 4 way dip switch for configuring the flasher. Switches 1 to 3 configure the flasher as shown below. Switch 4 is for future use. Setting 1 gives the specified flasher rating.

Setting	Switch 1	Switch 2	Switch 3	Flash rate	Current	Relative Flasher intensity
1*	OFF	OFF	OFF	0.5 Hz	43mA	100%
2	ON	OFF	OFF	0.33 Hz	18mA	60%
3	OFF	ON	OFF	0.33 Hz	25mA	85%
4	ON	ON	OFF	0.33 Hz	33mA	99%
5	OFF	OFF	ON	0.5 Hz	33mA	89%
6	ON	OFF	ON	1.0 Hz	43mA	69%
7	OFF	ON	ON	1.5 Hz	43mA	46%
8	ON	ON	ON	OFF	5.4mA	0%

* Approved Flasher setting

Beacon Coverage

The Raptor addressable sounder with beacon (ZRAPB/R & ZRAPB/W) has a coverage pattern of W-3.0-8.7 and an approved flash rate of 0.5 Hz.



Technical Data

Model	ZRAP/R	ZRAP/W	ZRAPB/R	ZRAPB/W
Part Number	42-635	42-636	42-637	42-638
Colour	Red	White	Red	White
Flash Colour	N/A		White flash	
Flash Rate	N/A		0.33 - 1.5 Hz (depends on setting)	
Flasher Coverage	N/A		W-3.0-8.7 for setting 1	
Sounder Output (Anechoic)	82.9dB @1m			
Operating Voltage	17-28 V			
Quiescent Current	1.5 mA			
Alarm Current	5.4 mA max		19-44 mA (depends on setting)	
Sounder Type	Type B (outdoor use)			
Operating Temperature	-25°C to +70°C			
Minimum Continuous Operating Temperature	0°C			
Max Humidity	95% RH Non Condensing			
IP Rating	IP33C			
Size (H x W x D in mm)	146 x 150 x 98		146 x 150 x 107.5	
Weight (with Back Box)	540g		550g	

Minimum sound output 62.7dB

Troubleshooting

Problem	Possible Cause
Device Not Seen By Panel	<p>Check the device is addressed within the range of the panel :- 1 To 250 for a Quatro / 1 To 126 for a Simplicity Plus</p> <p>Other panels - check panel manuals for info</p> <p>Check that loop is connected with correct polarity</p> <p>Check that sounder flying leads have been connected to the backbox.</p> <p>Check the panel is running the Zeta Fyreye MkII protocol</p>
Sounder Is Not Operating	Check panel's actions (cause & effect) programming is correct.
Flasher is not operating	<p>Check that the flasher LED wires have not been disconnected</p> <p>Check panel's actions (cause & effect) programming is correct.</p>
Can Not Start An Individual Sounder	<p>Check whether triggering individual sounders is supported by the control panel</p> <p>Check the cause & effect programming to see if common operation has been selected</p>

ADDRESS	SW1	SW2	SW3	SW4	SW5	SW6	SW7	SW8
0								
1	OFF	ON	ON	ON	ON	ON	ON	ON
2	ON	OFF	ON	ON	ON	ON	ON	ON
3	OFF	OFF	ON	ON	ON	ON	ON	ON
4	ON	ON	OFF	ON	ON	ON	ON	ON
5	OFF	ON	OFF	ON	ON	ON	ON	ON
6	ON	ON	OFF	ON	ON	ON	ON	ON
7	OFF	OFF	OFF	ON	ON	ON	ON	ON
8	ON	ON	ON	OFF	ON	ON	ON	ON
9	OFF	ON	ON	OFF	ON	ON	ON	ON
10	ON	OFF	ON	OFF	ON	ON	ON	ON
11	OFF	OFF	ON	OFF	ON	ON	ON	ON
12	ON	ON	OFF	OFF	ON	ON	ON	ON
13	OFF	ON	OFF	OFF	ON	ON	ON	ON
14	ON	OFF	OFF	OFF	ON	ON	ON	ON
15	OFF	OFF	OFF	OFF	ON	ON	ON	ON
16	ON	ON	ON	ON	OFF	ON	ON	ON
17	OFF	ON	ON	ON	OFF	ON	ON	ON
18	ON	OFF	ON	ON	OFF	ON	ON	ON
19	OFF	OFF	ON	ON	OFF	ON	ON	ON
20	ON	ON	OFF	ON	OFF	ON	ON	ON
21	OFF	ON	OFF	ON	OFF	ON	ON	ON
22	ON	OFF	OFF	ON	OFF	ON	ON	ON
23	OFF	OFF	OFF	ON	OFF	ON	ON	ON
24	ON	ON	ON	OFF	OFF	ON	ON	ON
25	OFF	ON	ON	OFF	OFF	ON	ON	ON
26	ON	OFF	ON	OFF	OFF	ON	ON	ON
27	OFF	OFF	ON	OFF	OFF	ON	ON	ON
28	ON	ON	OFF	OFF	OFF	ON	ON	ON
29	OFF	ON	OFF	OFF	OFF	ON	ON	ON
30	ON	OFF	OFF	OFF	OFF	ON	ON	ON
31	OFF	OFF	OFF	OFF	OFF	ON	ON	ON
32	ON	ON	ON	ON	ON	OFF	ON	ON
33	OFF	ON	ON	ON	ON	OFF	ON	ON
34	ON	OFF	ON	ON	ON	OFF	ON	ON
35	OFF	OFF	ON	ON	ON	OFF	ON	ON
36	ON	ON	OFF	ON	ON	OFF	ON	ON
37	OFF	ON	OFF	ON	ON	OFF	ON	ON
38	ON	OFF	OFF	ON	ON	OFF	ON	ON
39	OFF	OFF	OFF	ON	ON	OFF	ON	ON
40	ON	ON	ON	OFF	ON	OFF	ON	ON
41	OFF	ON	ON	OFF	ON	OFF	ON	ON
42	ON	OFF	ON	OFF	ON	OFF	ON	ON
43	OFF	OFF	ON	OFF	ON	OFF	ON	ON
44	ON	ON	OFF	OFF	ON	OFF	ON	ON
45	OFF	ON	OFF	OFF	ON	OFF	ON	ON
46	ON	OFF	OFF	OFF	ON	OFF	ON	ON
47	OFF	OFF	OFF	OFF	ON	OFF	ON	ON
48	ON	ON	ON	ON	OFF	OFF	ON	ON
49	OFF	ON	ON	ON	OFF	OFF	ON	ON
50	ON	OFF	ON	ON	OFF	OFF	ON	ON
51	OFF	OFF	ON	ON	OFF	OFF	ON	ON
52	ON	ON	OFF	ON	OFF	OFF	ON	ON
53	OFF	ON	OFF	ON	OFF	OFF	ON	ON
54	ON	OFF	OFF	ON	OFF	OFF	ON	ON
55	OFF	OFF	OFF	ON	OFF	OFF	ON	ON
56	ON	ON	ON	OFF	OFF	OFF	ON	ON
57	OFF	ON	ON	OFF	OFF	OFF	ON	ON
58	ON	OFF	ON	OFF	OFF	OFF	ON	ON
59	OFF	OFF	ON	OFF	OFF	OFF	ON	ON
60	ON	ON	OFF	OFF	OFF	OFF	ON	ON
61	OFF	ON	OFF	OFF	OFF	OFF	ON	ON
62	ON	OFF	OFF	OFF	OFF	OFF	ON	ON
63	OFF	OFF	OFF	OFF	OFF	OFF	ON	ON

ADDRESS	SW1	SW2	SW3	SW4	SW5	SW6	SW7	SW8
64	ON	ON	ON	ON	ON	ON	OFF	ON
65	OFF	ON	ON	ON	ON	ON	ON	OFF
66	ON	OFF	ON	ON	ON	ON	ON	OFF
67	OFF	OFF	ON	ON	ON	ON	ON	OFF
68	ON	ON	OFF	ON	ON	ON	ON	OFF
69	OFF	ON	OFF	ON	ON	ON	ON	OFF
70	ON	ON	OFF	ON	ON	ON	ON	OFF
71	OFF	OFF	OFF	ON	ON	ON	ON	OFF
72	ON	ON	ON	OFF	ON	ON	ON	OFF
73	OFF	ON	ON	OFF	ON	ON	ON	OFF
74	ON	OFF	ON	OFF	ON	ON	ON	OFF
75	OFF	OFF	ON	OFF	ON	ON	ON	OFF
76	ON	ON	OFF	OFF	ON	ON	ON	OFF
77	OFF	ON	OFF	OFF	ON	ON	ON	OFF
78	ON	OFF	OFF	OFF	ON	ON	ON	OFF
79	OFF	OFF	OFF	OFF	ON	ON	ON	OFF
80	ON	ON	ON	ON	OFF	ON	ON	OFF
81	OFF	ON	ON	ON	OFF	ON	ON	OFF
82	ON	OFF	ON	ON	OFF	ON	ON	OFF
83	OFF	OFF	ON	ON	OFF	ON	ON	OFF
84	ON	ON	OFF	ON	OFF	ON	ON	OFF
85	OFF	ON	OFF	ON	OFF	ON	ON	OFF
86	ON	OFF	OFF	ON	OFF	ON	ON	OFF
87	OFF	OFF	OFF	ON	OFF	ON	ON	OFF
88	ON	ON	ON	OFF	OFF	ON	ON	OFF
89	OFF	ON	ON	OFF	OFF	ON	ON	OFF
90	ON	OFF	ON	OFF	OFF	ON	ON	OFF
91	OFF	OFF	ON	OFF	OFF	ON	ON	OFF
92	ON	ON	OFF	OFF	OFF	ON	ON	OFF
93	OFF	ON	OFF	OFF	OFF	ON	ON	OFF
94	ON	OFF	OFF	OFF	OFF	ON	ON	OFF
95	OFF	OFF	OFF	OFF	OFF	ON	ON	OFF
96	ON	ON	ON	ON	ON	ON	OFF	OFF
97	OFF	ON	ON	ON	ON	ON	OFF	OFF
98	ON	OFF	ON	ON	ON	ON	OFF	OFF
99	OFF	OFF	ON	ON	ON	ON	OFF	OFF
100	ON	ON	OFF	ON	ON	ON	OFF	OFF
101	OFF	ON	OFF	ON	ON	ON	OFF	OFF
102	ON	OFF	OFF	ON	ON	ON	OFF	OFF
103	OFF	OFF	OFF	ON	ON	ON	OFF	OFF
104	ON	ON	ON	OFF	ON	ON	OFF	OFF
105	OFF	ON	ON	OFF	ON	ON	OFF	OFF
106	ON	OFF	ON	OFF	ON	ON	OFF	OFF
107	OFF	OFF	ON	OFF	ON	ON	OFF	OFF
108	ON	ON	OFF	OFF	ON	ON	OFF	OFF
109	OFF	ON	OFF	OFF	ON	ON	OFF	OFF
110	ON	OFF	OFF	OFF	ON	ON	OFF	OFF
111	OFF	OFF	OFF	OFF	ON	ON	OFF	OFF
112	ON	ON	ON	ON	OFF	OFF	OFF	OFF
113	OFF	ON	ON	ON	OFF	OFF	OFF	OFF
114	ON	OFF	ON	ON	OFF	OFF	OFF	OFF
115	OFF	OFF	ON	ON	OFF	OFF	OFF	OFF
116	ON	ON	OFF	ON	OFF	OFF	OFF	OFF
117	OFF	ON	OFF	ON	OFF	OFF	OFF	OFF
118	ON	OFF	OFF	ON	OFF	OFF	OFF	OFF
119	OFF	OFF	OFF	ON	OFF	OFF	OFF	OFF
120	ON	ON	ON	OFF	OFF	OFF	OFF	OFF
121	OFF	ON	ON	OFF	OFF	OFF	OFF	OFF
122	ON	OFF	ON	OFF	OFF	OFF	OFF	OFF
123	OFF	OFF	ON	OFF	OFF	OFF	OFF	OFF
124	ON	ON	OFF	OFF	OFF	OFF	OFF	OFF
125	OFF	ON	OFF	OFF	OFF	OFF	OFF	OFF
126	ON	OFF	OFF	OFF	OFF	OFF	OFF	OFF
127	OFF	OFF	OFF	OFF	OFF	OFF	OFF	OFF

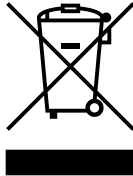
ADDRESS	SW1	SW2	SW3	SW4	SW5	SW6	SW7	SW8
128	ON	ON	ON	ON	ON	ON	ON	OFF
129	OFF	ON	ON	ON	ON	ON	ON	OFF
130	ON	OFF	ON	ON	ON	ON	ON	OFF
131	OFF	OFF	ON	ON	ON	ON	ON	OFF
132	ON	ON	OFF	ON	ON	ON	ON	OFF
133	OFF	ON	OFF	ON	ON	ON	ON	OFF
134	ON	ON	OFF	ON	ON	ON	ON	OFF
135	OFF	OFF	OFF	ON	ON	ON	ON	OFF
136	ON	ON	ON	OFF	ON	ON	ON	OFF
137	OFF	ON	ON	OFF	ON	ON	ON	OFF
138	ON	OFF	ON	OFF	ON	ON	ON	OFF
139	OFF	OFF	ON	OFF	ON	ON	ON	OFF
140	ON	ON	OFF	OFF	ON	ON	ON	OFF
141	OFF	ON	OFF	OFF	ON	ON	ON	OFF
142	ON	OFF	OFF	OFF	ON	ON	ON	OFF
143	OFF	OFF	OFF	OFF	ON	ON	ON	OFF
144	ON	ON	ON	ON	OFF	ON	ON	OFF
145	OFF	ON	ON	ON	OFF	ON	ON	OFF
146	ON	OFF	ON	ON	OFF	ON	ON	OFF
147	OFF	OFF	ON	ON	OFF	ON	ON	OFF
148	ON	ON	OFF	ON	OFF	ON	ON	OFF
149	OFF	ON	OFF	ON	OFF	ON	ON	OFF
150	ON	OFF	OFF	ON	OFF	ON	ON	OFF
151	OFF	OFF	OFF	ON	OFF	ON	ON	OFF
152	ON	ON	ON	OFF	OFF	ON	ON	OFF
153	OFF	ON	ON	OFF	OFF	ON	ON	OFF
154	ON	OFF	ON	OFF	OFF	ON	ON	OFF
155	OFF	OFF	ON	OFF	OFF	ON	ON	OFF
156	ON	ON	OFF	OFF	OFF	ON	ON	OFF
157	OFF	ON	OFF	OFF	OFF	ON	ON	OFF
158	ON	OFF	OFF	OFF	OFF	ON	ON	OFF
159	OFF	OFF	OFF	OFF	OFF	ON	ON	OFF
160	ON	ON	ON	ON	ON	OFF	ON	OFF
161	OFF	ON	ON	ON	ON	OFF	ON	OFF
162	ON	OFF	ON	ON	ON	OFF	ON	OFF
163	OFF	OFF	ON	ON	ON	OFF	ON	OFF
164	ON	ON	OFF	ON	ON	OFF	ON	OFF
165	OFF	ON	OFF	ON	ON	OFF	ON	OFF
166	ON	OFF	OFF	ON	ON	OFF	ON	OFF
167	OFF	OFF	OFF	ON	ON	OFF	ON	OFF
168	ON	ON	ON	OFF	ON	OFF	ON	OFF
169	OFF	ON	ON	OFF	ON	OFF	ON	OFF
170	ON	OFF	ON	OFF	ON	OFF	ON	OFF
171	OFF	OFF	ON	OFF	ON	OFF	ON	OFF
172	ON	ON	OFF	OFF	ON	OFF	ON	OFF
173	OFF	ON	OFF	OFF	ON	OFF	ON	OFF
174	ON	OFF	OFF	OFF	ON	OFF	ON	OFF
175	OFF	OFF	OFF	OFF	ON	OFF	ON	OFF
176	ON	ON	ON	ON	OFF	OFF	ON	OFF
177	OFF	ON	ON	ON	OFF	OFF	ON	OFF
178	ON	OFF	ON	ON	OFF	OFF	ON	OFF
179	OFF	OFF	ON	ON	OFF	OFF	ON	OFF
180	ON	ON	OFF	ON	OFF	OFF	ON	OFF
181	OFF	ON	OFF	ON	OFF	OFF	ON	OFF
182	ON	OFF	OFF	ON	OFF	OFF	ON	OFF
183	OFF	OFF	OFF	ON	OFF	OFF	ON	OFF
184	ON	ON	ON	OFF	OFF	OFF	ON	OFF
185	OFF	ON	ON	OFF	OFF	OFF	ON	OFF
186	ON	OFF	ON	OFF	OFF	OFF	ON	OFF
187	OFF	OFF	ON	OFF	OFF	OFF	ON	OFF
188	ON	ON	OFF	OFF	OFF	OFF	ON	OFF
189	OFF	ON	OFF	OFF	OFF	OFF	ON	OFF
190	ON	OFF	OFF	OFF	OFF	OFF	ON	OFF
191	OFF	OFF	OFF	OFF	OFF	OFF	ON	OFF

ADDRESS	SW1	SW2	SW3	SW4	SW5	SW6	SW7	SW8
192	ON	ON	ON	ON	ON	ON	OFF	OFF
193	OFF	ON	ON	ON	ON	ON	OFF	OFF
194	ON	OFF	ON	ON	ON	ON	OFF	OFF
195	OFF	OFF	ON	ON	ON	ON	OFF	OFF
196	ON	ON	OFF	ON	ON	ON	OFF	OFF
197	OFF	ON	OFF	ON	ON	ON	OFF	OFF
198	ON	OFF	OFF	ON	ON	ON	OFF	OFF
199	OFF	OFF	OFF	ON	ON	ON	OFF	OFF
200	ON	ON	ON	OFF	ON	ON	OFF	OFF
201	OFF	ON	ON	OFF	ON	ON	OFF	OFF
202	ON	OFF	ON	OFF	ON	ON	OFF	OFF
203	OFF	OFF	ON	OFF	ON	ON	OFF	OFF
204	ON	ON	OFF	OFF	ON	ON	OFF	OFF
205	OFF	ON	OFF	OFF	ON	ON	OFF	OFF
206	ON	OFF	OFF	OFF	ON	ON	OFF	OFF
207	OFF	OFF	OFF	OFF	ON	ON	OFF	OFF
208	ON	ON	ON	ON	OFF	ON	OFF	OFF
209	OFF	ON	ON	ON	OFF	ON	OFF	OFF
210	ON	OFF	ON	ON	OFF	ON	OFF	OFF
211	OFF	OFF	ON	ON	OFF	ON	OFF	OFF
212	ON	ON	OFF	ON	OFF	ON	OFF	OFF
213	OFF	ON	OFF	ON	OFF	ON	OFF	OFF
214	ON	OFF	OFF	ON	OFF	ON	OFF	OFF
215	OFF	OFF	OFF	ON	OFF	ON	OFF	OFF
216	ON	ON	ON	OFF	OFF	ON	OFF	OFF
217	OFF	ON	ON	OFF	OFF	ON	OFF	OFF
218	ON	OFF	ON	OFF	OFF	ON	OFF	OFF
219	OFF	OFF	ON	OFF	OFF	ON	OFF	OFF
220	ON	ON	OFF	OFF	OFF	ON	OFF	OFF
221	OFF	ON	OFF	OFF	OFF	ON	OFF	OFF
222	ON	OFF	OFF	OFF	OFF	ON	OFF	OFF
223	OFF	OFF	OFF	OFF	OFF	ON	OFF	OFF
224	ON	ON	ON	ON	ON	OFF	OFF	OFF
225	OFF	ON	ON	ON	ON	OFF	OFF	OFF
226	ON	OFF	ON	ON	ON	OFF	OFF	OFF
227	OFF	OFF	ON	ON	ON	OFF	OFF	OFF
228	ON	ON	OFF	ON	ON	OFF	OFF	OFF
229	OFF	ON	OFF	ON	ON	OFF	OFF	OFF
230	ON	OFF	OFF	ON	ON	OFF	OFF	OFF
231	OFF	OFF	OFF	ON	ON	OFF	OFF	OFF
232	ON	ON	ON	OFF	ON	OFF	OFF	OFF
233	OFF	ON	ON	OFF	ON	OFF	OFF	OFF
234	ON	OFF	ON	OFF	ON	OFF	OFF	OFF
235	OFF	OFF	ON	OFF	ON	OFF	OFF	OFF
236	ON	ON	OFF	OFF	ON	OFF	OFF	OFF
237	OFF	ON	OFF	OFF	ON	OFF	OFF	OFF
238	ON	OFF	OFF	OFF	ON	OFF	OFF	OFF
239	OFF	OFF	OFF	OFF	ON	OFF	OFF	OFF
240	ON	ON	ON	ON	OFF	OFF	OFF	OFF
241	OFF	ON	ON	ON	OFF	OFF	OFF	OFF
242	ON	OFF	ON	ON	OFF	OFF	OFF	OFF
243	OFF	OFF	ON	ON	OFF	OFF	OFF	OFF
244	ON	ON	OFF	ON	OFF	OFF	OFF	OFF
245	OFF	ON	OFF	ON	OFF	OFF	OFF	OFF
246	ON	OFF	OFF	ON	OFF	OFF	OFF	OFF
247	OFF	OFF	OFF	ON	OFF	OFF	OFF	OFF
248	ON	ON	ON	OFF	OFF	OFF	OFF	OFF
249	OFF	ON	ON	OFF	OFF	OFF	OFF	OFF
250	ON	OFF	ON	OFF	OFF	OFF	OFF	OFF
251								
252								
253								
254								
255								

Other Information

Like all electronic equipment, at the end of its working life this unit should not be disposed of in a refuse bin.

It should be taken to a local reprocessing site as per the guidelines of the WEEE directive, for correct disposal.



<p>CE</p> <p>2831</p>
<p>Zeta Alarms Limited 72-78 Morfa Road, Swansea SA1 2EN 17 2831-CPR-F2046 2831-CPR-F2048</p>
<p>EN54-3:2001+A1:2002 + A2: 2006 Alarm Devices - Sounder Type B: For Outdoor Use ZRAP/R (W)</p> <p>EN 54-3:2001 + A1:2002 + A2:2006, EN 54-23: 2010 Alarm Devices - Sounder & VAD Type B: For Outdoor Use ZRAPB/R (W)</p> <p>Other Technical Data: See Doc: "Addressable Raptor Product file" held by the manufacturer</p>

Zeta Alarms Limited, 72-78 Morfa Road, Swansea SA1 2EN