

CP4+

The Anti-Tamper and Weatherproof Enclosure for Conventional Manual Call Points

Zeta
ALARMS LIMITED



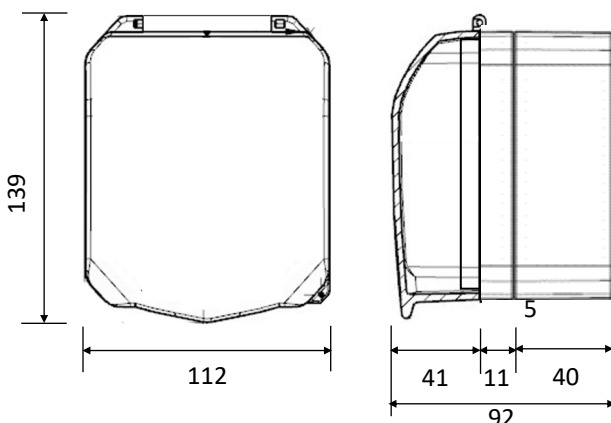
Application areas:

Industrial Areas, Outdoors Areas, Washdown Areas, Sauna's and Pool Areas etc....

Key attributes:

- Surface Mount (not retrofit)
- Weatherproof
- Break-Seal Mounting Area
- High Impact Protection (from both front & side)
- UV Stabilised (prolongs life from UV rays)
- Manufactured in Robust Polycarbonate

Product Dimensions in MM's



Rugged / Outdoor / Tamperproof Protection for Manual Call Points

Why use CP4+ ?

The new 'All in One' protective enclosure specifically designed to give the added protection to vulnerable manual call points that is ultimately need.

Lead the fight back against environmental failure, vandalism or unnecessary damage.

These everyday issues can be a crippling cost to any business and potentially unrecoverable. Prevent downtime, eliminate false evacuations, save and protect your business and your life

CP4+ the protection designed to save lives

Strength & Durability

The CP4+ is small, incredibly strong and robust, its construction helps to defend against 2 problematic false alarm issues. Firstly protecting the covering product from the ingress of water and dust especially if installation is within a harsh environment and secondly to defend the covering product against accidental or targeted misuse.

UV Stabilisation

Manufacture in UV stabilised polycarbonate it will become your first line of defence, having the ability to protect against extreme environmental conditions, hard hitting impacts from the front or from the side. Critically protecting essential life safety MCP's.



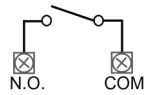
- Available in 5 colours
- Complete with Conventional Manual Call Point Red, Green, Yellow, Blue and White

20mm Threaded Inserts

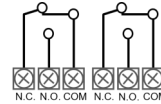


The rear back section has 20mm entry points on both the top and the bottom surfaces, giving you the ability to rotate the back box depending on the installation circumstances.

- For further colour options and ordering codes (see over)



Single Pole



Double Pole



Product Code:
ZT-CP4/WP+

Description:
LPCB Approved Red, Single Pole, Conventional Resettable MCP in Outdoor / Tamperproof Enclosure



Product Code:
ZT-CP4/G/WP+

Description:
Green, Single Pole, Conventional Resettable MCP in Outdoor / Tamperproof Enclosure



Product Code:
ZT-CP4/B/WP+

Description:
Blue, Single Pole, Gas Abort Conventional Resettable MCP in Outdoor / Tamperproof Enclosure



Product Code:
ZT-CP4/Y/WP+

Description:
Yellow, Single Pole, Gas Extinguishant Conventional Resettable MCP in Outdoor / Tamperproof Enclosure



Product Code:
ZT-CP4/W/WP+

Description:
White, Single Pole, Conventional Resettable MCP in Outdoor / Tamperproof Enclosure

Product Code:
ZT-CP4/11/WP+

Description:
Red, Double Pole, Conventional Resettable MCP in Outdoor / Tamperproof Enclosure

Product Code:
ZT-CP4/11/G/WP+

Description:
Green Double Pole, Conventional Resettable MCP in Outdoor / Tamperproof Enclosure

Product Code:
ZT-CP4/11/B/WP+

Description:
Blue, Double Pole, Gas Abort Conventional Resettable MCP in Outdoor / Tamperproof Enclosure

Product Code:
ZT-CP4/11/Y/WP+

Description:
Yellow Double Pole, Gas Extinguishant Conventional Resettable MCP in Outdoor / Tamperproof Enclosure

Product Code:
ZT-CP4/11/W/WP+

Description:
White Double Pole, Conventional Resettable MCP in Outdoor / Tamperproof Enclosure

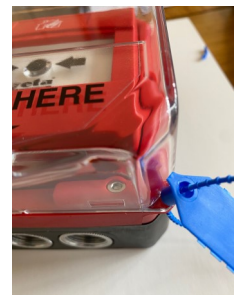
CP4+ Operation Label

Comes complete with an fully instructive, translucent operation label. Easy to follow in case of an emergency or if legitimate activation is required



Additional Security Option—Break seal Facility

Deter unwanted access to the MCP and check for tampering. Attach a break-seal using the built in mounting holes positioned on the lower right hand corner of the cover and coloured central mounting chassis. The break seals are designed to be 'easy breaking' in case emergency access is actually required. **1 x Break-seal supplied with each product**



CP4+ Accessories:

UG-BR-10 Ultra-Guard Replacement Break-seals, Pack of 10