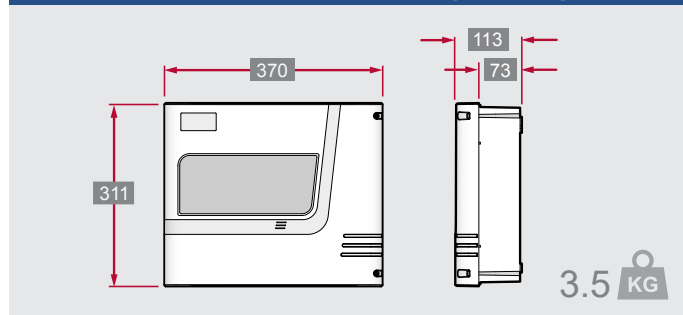


SmartConnect Touchscreen 1 Loop Addressable Fire Alarm Panel



Dimensions (mm) & Weight (Kg)



Description

The SmartConnect is a fully featured single loop addressable fire alarm panel with a user friendly 4.3 inch touch screen display and remote monitoring via a desktop PC or smartphone via the cloud.

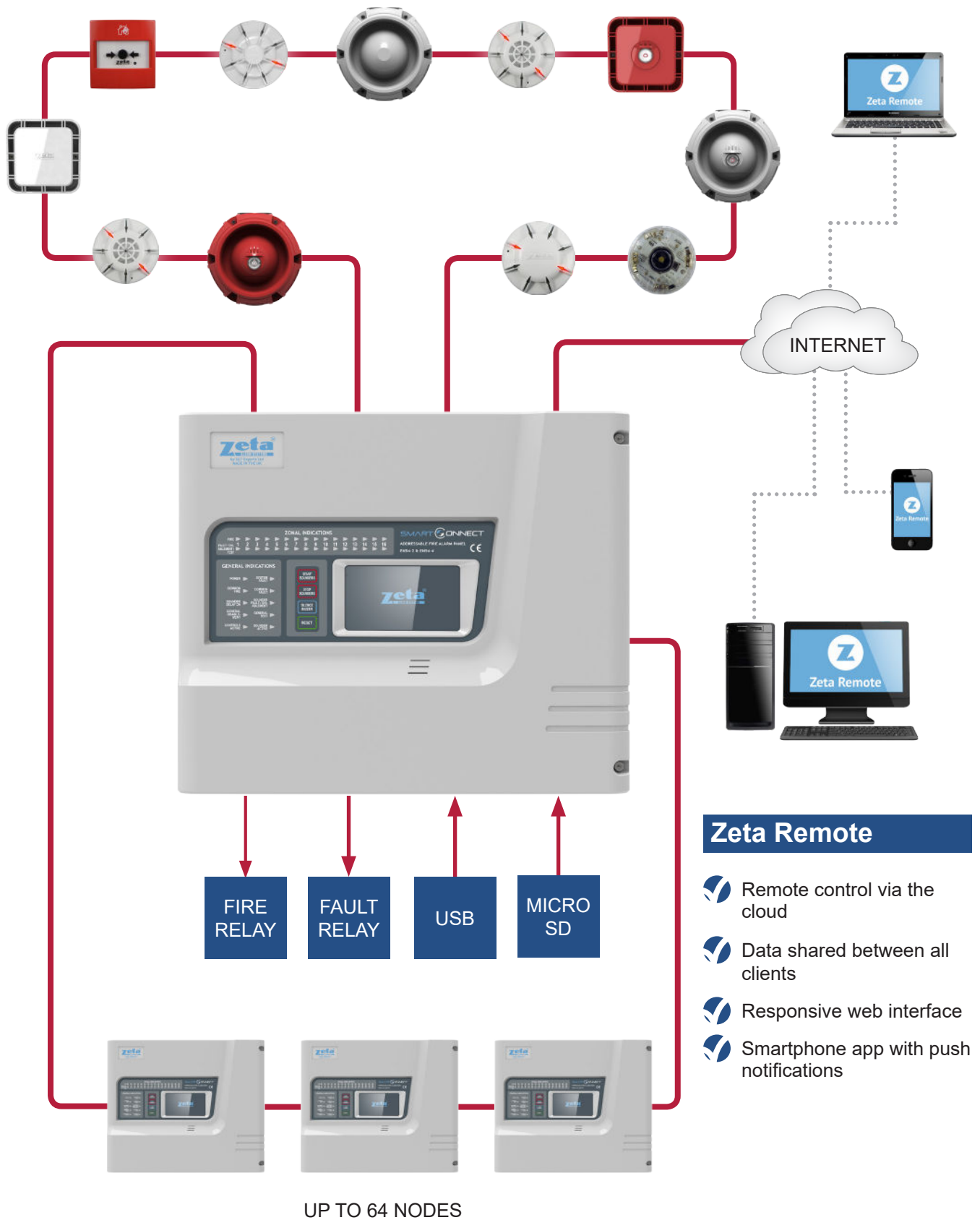
The panel is housed in an attractive, modern designed, flame retardant ABS enclosure, utilising a switch mode power supply and has a fully removable front cover which improves ease of access for cable installations. Up to 64 panels can be networked (pier to pier) with no additional network cards.

Features





- 4.3 inch colour touch screen display
- Built-in TCP-IP output
- Up to 8 password protected users
- Remote monitoring via a desktop PC or smartphone via the cloud
- Meets all requirements of latest EN54 parts 2 & 4
- Easy to use configuration software
- Extensive Day/Night mode programming
- Full cause & effect programming via front panel or PC
- Built-in network facility
- 250 Zeta MKII protocol devices per loop
- 2 programmable local inputs
- 250 available zones, 16 with LED indication
- 2 sounder circuits
- Fire & fault relays

Technical Specification

Model	SMART1
Part No	37-350
Mains Voltage	230V AC +10% / -15% @ 50/60 Hz
System Voltage	24V DC (Nominal)
Loop Current	500mA
Sounder Alarm Output	2 x 200mA @ 24V DC
Fault Relay	1 x Volt Free Relay, SELV @ 1A Max
Fault Relay	1 x Volt Free Relay, SELV @ 1A Max
Loop Capacity	250 MKII devices
Charger Voltage	27.6V
Battery cut off	Battery voltage less than 20V
Battery Internal Resistance limit	2.0 ohm
Enclosure size	370 x 311 x 113 (mm)
Weight	3.5Kg
Maximum battery space	2 x 7.0 Ah, 12 Vdc sealed lead acid
IP Rating	IP30



Zeta Remote

-  Remote control via the cloud
-  Data shared between all clients
-  Responsive web interface
-  Smartphone app with push notifications