

Fyreye MkII Addressable Input/ Output Module With Isolator (ZAIO-MI)



Description

The ZAIO-MI is both an input and output module in a modern enclosure (2 gang box size) with well protected electronic circuit board to minimize any damages during installation.

It is supplied with a back box suitable for surface mount indoor installation. Designed and manufactured to meet the requirements of EN54-18 2005 and EN54-17 2005.

The ZAIO-MI is used when both an input needs to be monitored and at the same time a local output (relay output) needs to be triggered to switch ancillary equipment on or off during an alarm condition.

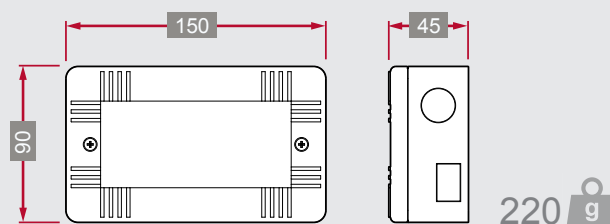
Typical output triggering includes: controlling lift operation during an alarm, starting fire pump, stopping ventilation fans etc.

For more details and connection information consult the installation guide.

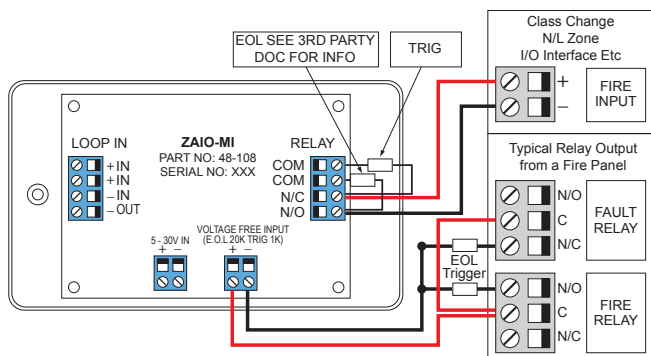
Features

- Loop powered (60 devices per loop as maximum)
- Hand addressed using the 8 way dip switch OR
- Softly addressed using our handheld MKII Programmer (part no. 48-004)
- Equipped with short circuit line isolator
- Extensive front unit indications

Dimensions (mm) & Weight (g)



Typical Wiring Diagram



Front Unit Indications

Status	LED Indication
Switch closed	Illuminated red when monitored field contact is activated
Relay on	Illuminated red when relay is energized
Fault	Illuminated yellow when the input is open or short circuit
Polling	Flashed green when the device is polled by control panel
Isolating	Illuminated yellow when the loop is short or wrong connection circuit

Technical Specification

Model	ZAIO-MI
Part Number	48-108
Operating Voltage	17-28V DC
Quiescent Current @ 24V	1.0mA
Switch Input Closed (LED OFF)	1.25mA
Relay Operated (LED ON)	2.0mA (Max 2 LEDs on)
Relay Rating	SELV @ 1A
Isolating Current	7.3mA
Input End Of Line	20k
Alarm Triggering Resistor	1k
Operating Temperature	-10°C to +55°C
Max Humidity	95% RH Non Condensing
IP rating	IP21C
Size (mm)	150 x 90 x 45
Weight	220g