

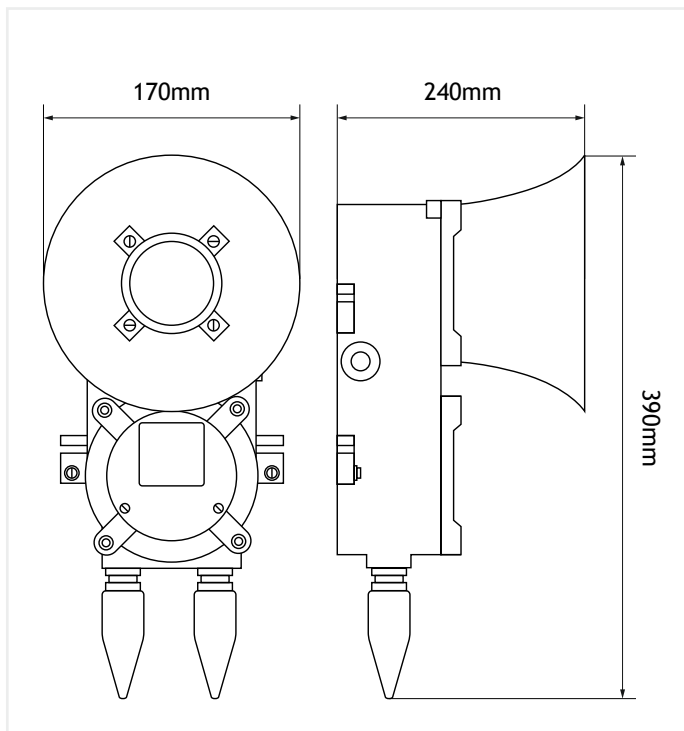
Zeta Flame Proof Siren

(ZTSR/EXD24 & ZTSR/EXD230)



The Zeta flame proof siren is an explosion proof siren available in either 24V or 230V versions.

An intrinsically safe circuit is housed in the main chamber and it is duly wired up to terminal chamber through sealed bushes. The horn unit is placed on the main chamber cover and the output signals are taken through sealed coils. Neoprene 'O' rings are provided for the weather proof protection.



Model	ZTSR/EXD24	ZTSR EXD230
Part No.	42-100/24	42-105/230
Type Of Protection	Flame proof - Exd T6 IP 65	
Area Classification	Zone 1 & 2	
Gas Groups	Group I, II A, II B, II C	
Apparatus Standard	IS - 2148	
CMRI Certificate	CMRI / TC / S / H388	
Approvals	CCE, DGFAS	
Materials	Cast Aluminium LM 6	
Weight	5 Kg (approx.)	
Size	170 (w) x 390 (h) x 240 (d) mm	
IP Protection	IP 65 to IS 13947 / 93	
Finish	Anti corrosive Epoxy - Powder Coated	
Cable Entry	2 x 3/4" ET	
Gasket	Neoprene	
Hardware	Stainless Steel	
Terminals	4 x 2.5 sq. mm (standard) 6 x 2.5 sq. mm (for looping)	
Voltage	24 V DC	230 V AC - 50 Hz
Output Current	600mA Peak. Galvanically Isolated	
Power Rating	18 Watts	
Sound Output	106 db 900 Hz On & Off alternatively at 1C/s	
Earthing	External: 2 Nos. - M6	Internal: 1 No. - M5