

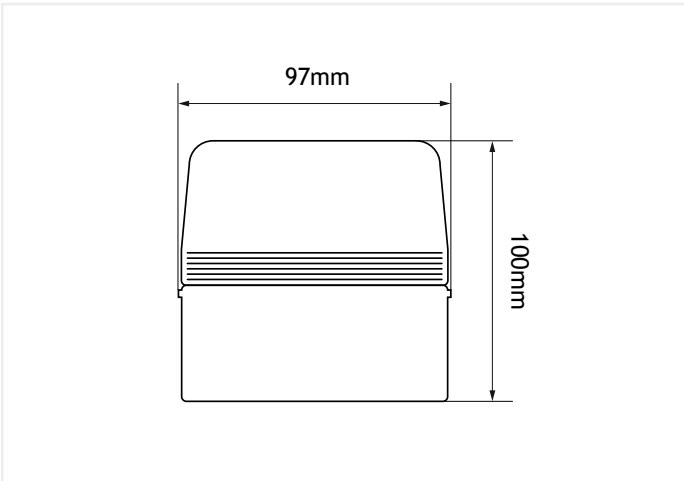
# Secure Light Xenon Flasher

(ZTSL6/R & ZTSL6/A)



The Secure Light Xenon Flasher range is designed to provide a visual warning at alarm condition.

Both red and amber versions are available with the lenses constructed of high-impact and heat resistant ACRYREX. The case is made of high-impact resistant ABS plastic.



## Features

- ✓ Available in Red & Amber
- ✓ Fits onto a standard outlet box

Model	ZST /8R	ZST /8W
Part No.	42-035	42-038
Colour	Red	Amber
Flash Energy	3 Watt	
Flash Frequency	60 times per minute	
Operating Voltage	20-30V DC	
Quiescent Current	0mA	
Alarm Current @ 24V	100mA MAX	
Operating Temperature	-30 °C to 60 °C	
Minimum Continuous Temperature	0 °C	
Maximum Humidity	95% RH Non Condensing	
IP Rating	IP54	
Size	97 x 100mm	
Weight (including Plate)	231g	