

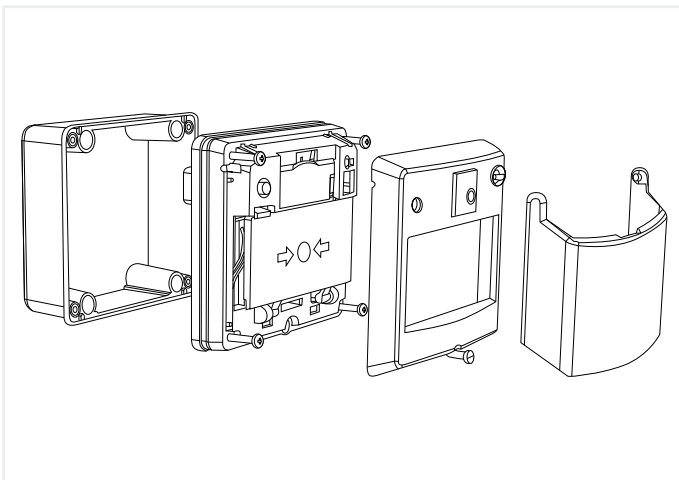
Zeta Conventional Weatherproof Call Point

(ZT-CP2/WP)



The Zeta conventional weatherproof manual call point is an IP65 rated call point which complies with EN54 part 11. It is resettable and signals an alarm with a yellow flag entering the window area and a red alarm LED.

The call point comes complete with a protective Perspex cover as well as a “snaplatch” catch that needs to be broken off before the call point cover can be lifted (this acts as a deterrent to malicious activations and forms a Type B call point).



Features

- ✓ Complies with EN54 part 11
- ✓ Attractive design
- ✓ Resettable element
- ✓ Protective cover

Model	ZT-CP2/WP
Part No.	43-350
Type	Type B
Element Type	Resettable
Alarm Activation	Break “snaplatch”, lift Perspex cover, press element
Colour	Red
Input Voltage	9-33V DC
Quiescent Current	0mA
Alarm Current	Typical 35mA (maximum 51mA)
Alarm Load	470 Ω resistor
Operating Temperature	-20° C to 50° C
Max Humidity	95% RH non-condensing
IP Rating	IP65
Size	87 x 87 x 70mm
Weight	198g