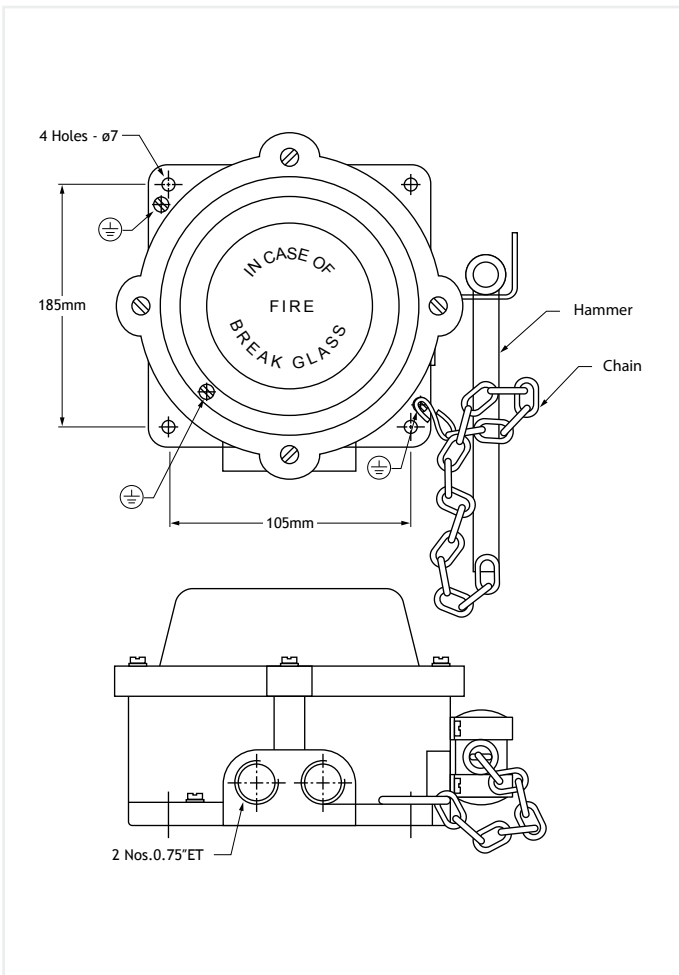


Zeta Conventional Explosion Proof Manual Call Point (ZT-BGU/WP/R & ZT-BGU/WP)



The Zeta conventional explosion proof manual call point is manufactured from aluminium with a built-in push button activator. The call point is finished with red anti-corrosive epoxy powder coating with 2 x 20mm cable entries. This unit is equipped with a stainless steel hammer and chain.

Two models are available; the ZT-BGU/WP/R with 470Ω built-in resistor for connection to a standard fire alarm system or the ZTBGU/WP for mains connection.



Model	ZT-BGU/WP/R	ZT-BGU/WP
Part No.	43-300/WP	43-305/WP
Contact Rating	10 Amp	
Voltage Rating	500V AV	
Build-in Resistor	470Ω	N/A
IP Rating	IP65	
Earthling	2No M6 eternal & 1No M5 internal	
Size	TBC	
Weight	1.5kg	