

Fyreye 50 & 100m Auto-aligning Beam Smoke Detector Systems 50 & 100m (ZT-5000R & ZT-5000R/100)



Based on the proven technology of the standard Fyreye reflective beam detectors, the Fyreye auto-aligning beam detector has been designed to help improve ease of installation.

The system is ideally suited for the protection of large areas where the use of traditional detection technologies would prove to be too difficult and/or costly to install.

The system combines an infrared transmitter and receiver in the same discrete unit and operates by projecting a well-defined beam to a reflective prism, which returns the beam to the receiver for analysis. Smoke in the beam path causes a drop in power, which, if below a pre-determined level, results in an alarm signal.

The system consists of 2 parts; the beam detector itself and a low level control unit.

The system can be fully customised, according to local conditions and installation guidelines; alarm thresholds (sensitivity) and time to alarm/fault can be set from the low level system controller.

Each detector head is independently configurable from 8m through to 100m and has its own individual fire threshold. The system controller retains one set of fire and fault relays that is common to all detectors that are installed.

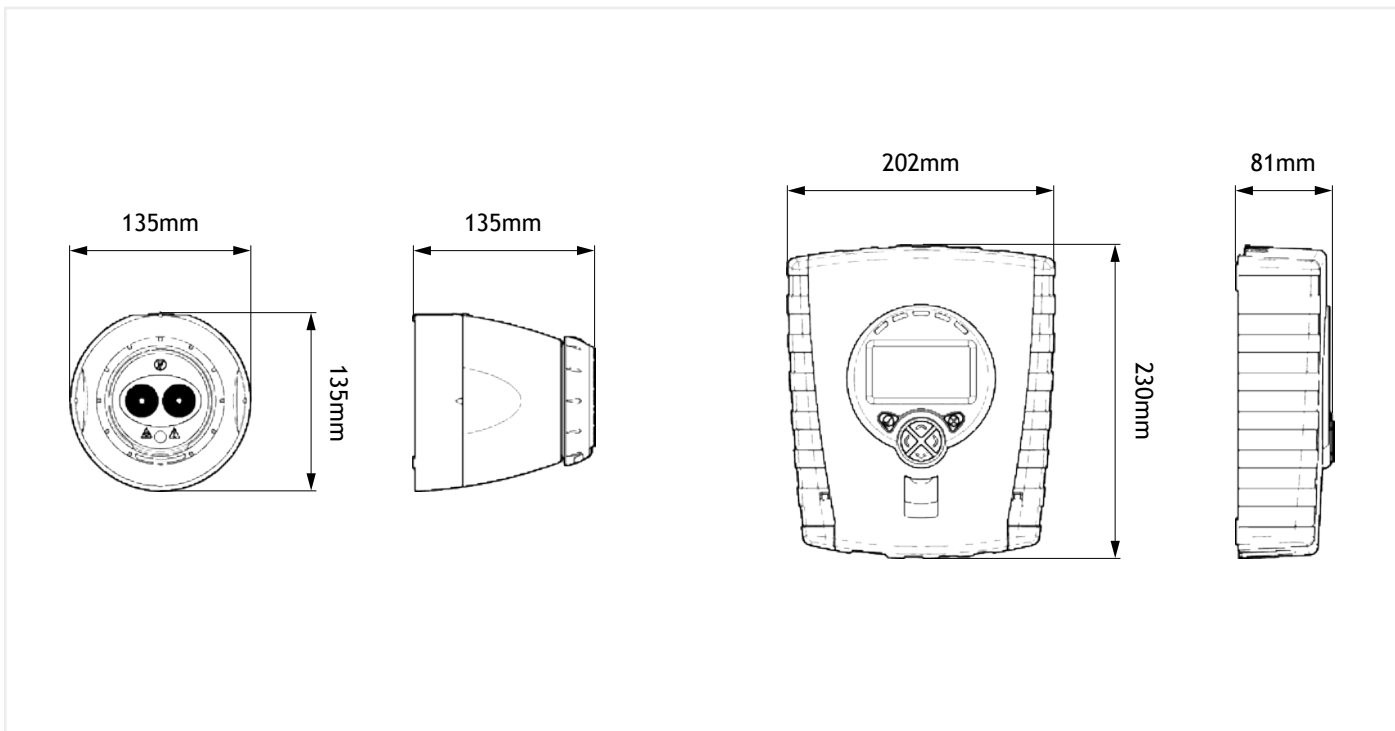
The system is supplied as either a 50 or 100 metre version with a single detector head. Additional heads and a long range kit (additional prisms to allow the detector head to reach 100m) are available separately.

Additional System Components

- ✓ ZT-5000R/DH - 47-072 - Fyreye Auto-aligning Single Beam Detector Head 50m
- ✓ ZT-5000R/100/DH - 47-073 - Fyreye Auto-aligning Single Beam Detector Head 100m
- ✓ ZT-5000R/LRK - 47-074 - Fyreye Auto-aligning Beam Detector Long Range Kit

Features

- ✓ Worldwide approvals including EN54:12 and UL268
- ✓ Up to 4 detectors per system controller
- ✓ Each detector configurable from 8m to 100m
- ✓ Integral LASER
- ✓ Auto-align fast automatic beam alignment
- ✓ Auto-optimize building movement and contamination compensation
- ✓ Low level system controller
- ✓ 20mm cable gland knockouts on system controller
- ✓ 2-wire interface from system controller to detector



Model	ZT-5000R	ZT-5000R/100
Part No.	47-070	47-071
Range	50m	100m
Number of Wires	4	
Supply Voltage	14-28V DC	
Operating Current	8-12mA (low current mode with 1 detector) 48-52mA (high current mode with 1-4 detectors)	
Operating Temperature	-20 °C to 55 °C	
Storage Temperature	-40 °C to 85 °C	
Max Humidity	85% RH non-condensing	
Max Wind Speed	Not affected	
Alarm Current	35mA (typical)	
Fire Output	Volt free relay contact	
Fault Output	Volt free relay contact	
Beam Misalignment Tolerance @ 35%	Detector $\pm 0.8^\circ$, Prism $\pm 5.0^\circ$	
Alarm Thresholds	2.50dB (25%), 3.74dB (35%) & 6.02dB (50%)	
Optical Wavelengths	850nm	
Construction	Flame Retardant ABS (Grey / Black)	
IP Rating	IP54	
Detector Size	135 x 135 x 135mm	
Detector Weight	0.5kg	
Controller Size	202 x 230 x 81mm	
Controller Weight	0.9kg	