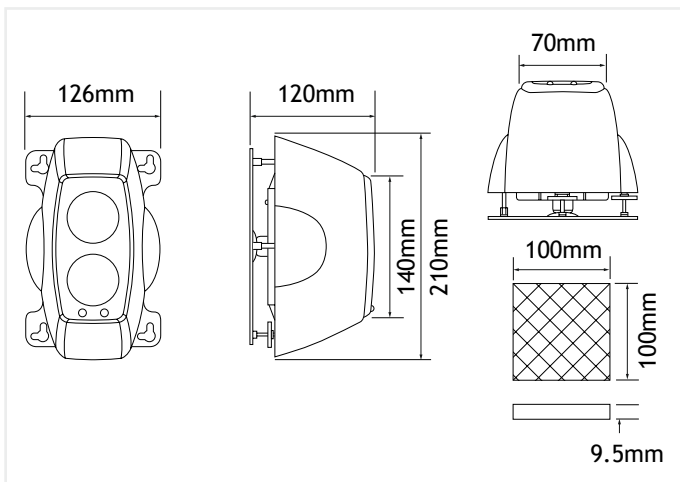


# Fyreye 50 & 100m Reflective Beam Smoke Detector (ZT-50RZ, ZT-100RZ, ZT-50RV & ZT-100RV)



The Fyreye reflective beam detectors comprise of a single unit incorporating an infrared transmitter & receiver. The signal is reflected by a prism and analysed for smoke presence. Should a predetermined level be reached then the detector will signal an alarm.

The system is designed to be mounted so that the beam will project between 0.3 and 0.6 metres below the ceiling and parallel to it. Lateral detection may be up to 7.5 metres either side of the beam.



## Features

- ✓ 50 or 100 metre reflective beam smoke detector
- ✓ VdS approved
- ✓ Complies fully to;
  - ✓ BS 5839 part 5
  - ✓ EN54 part 12
- ✓ Single compact housing
- ✓ Horizontal or vertical mounting
- ✓ 12-24V DC operation
- ✓ Low current consumption
- ✓ Latching or non latching alarm
- ✓ Reflector targeting mode to ease set-up
- ✓ Microprocessor controlled
- ✓ Automatic contamination compensation
- ✓ Selectable sensitivity
- ✓ Robust construction

The Fyreye beam detectors are available with ranges of up to 50 or 100 metres and either 2 or 4 wire connections.

The **2 wire models** (ZT-50RZ & ZT-100RZ) are zone powered (please note these will only work on Premier SX & M Plus panels).

The **4 wire models** (ZT-50RV & ZT-100RV) require an external 24V power supply and have a fire & fault relay output for wide compatibility.

## Typical Applications

Beam detectors are generally used for two purposes; either to cover a wide-open space and/or in places where several regular smoke detectors would be aesthetically unacceptable.

Such places include;

- ✓ Shopping centres
- ✓ Heritage sites
- ✓ Churches or mosques
- ✓ Museums
- ✓ Leisure centres
- ✓ Open Plan offices
- ✓ Warehouses
- ✓ Factories
- ✓ Power stations
- ✓ and more

Model	ZT-50RZ	ZT-100RZ	ZT-50RV	ZT-100RV
Part No.	47-050	47-051	47-050A	47-051A
Range	5-50m	50-100m	5-50m	50-100m
Number of Wires	2		4	
Supply Voltage	10.2V to 30V DC			
Quiescent Current	<4mA			
Operating Temperature	-30°C to 55°C			
Max Humidity	95% RH non-condensing			
Max Wind Speed	Not affected			
Alarm Current	35mA (typical)		<15mA	
Fire Output	470 OHM resistor placed across zone internally		Fire relay closing (relay contact is normally open)	
Fault Output	Schottky diode introduced between -VE in & -VE out		Fault relay opening (relay contact is normally closed)	
Power Down Reset	<2 seconds		>5 seconds	
Beam Misalignment Tolerance at 35%	Detector ± 0.8° Prism ± 5.0°			
Alarm Thresholds	2.50dB (25%), 3.74dB (35%), 6.02dB (50%)			
Optical Wavelength	880nm			
Construction	Flame Retardant ABS (Grey /Black)			
IP Rating	IP50			
Size	130 x 210 x 120mm			
Weight	0.75kg		0.7kg	