

# Securetone Conventional Electronic Sounder

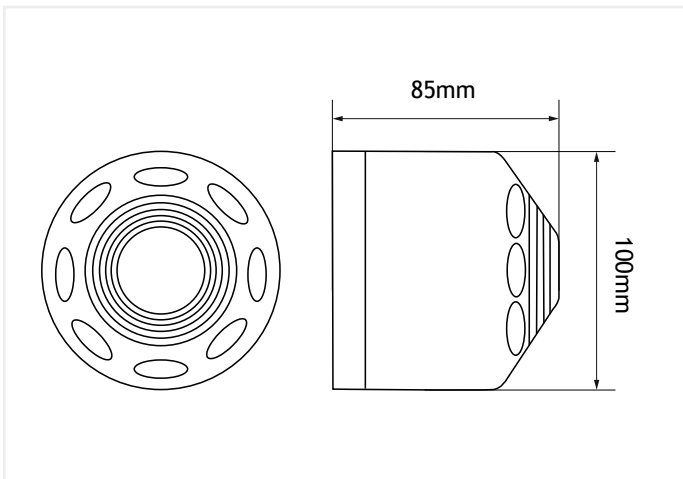
(ZST/8R & ZST/8W)



The Securetone sounder is designed to be aesthetically pleasing and unobtrusive. It has an elegant round design and fits to its supplied mounting plate with a bayonet action to avoid unsightly screws.

It has 8 selectable tones with a volume adjust screw to set the required sound level.

This product is designed to meet the requirements of EN54 part 3 and is CE marked.



## Features

- ✓ 8 selectable tones
- ✓ Volume control

Model	ZST/8R	ZST/8W
Part No.	42-004	42-004A
Sound Output	100dBA @ 1 metre	
Colour	Red	White
Operating Voltage	10-30V DC	
Quiescent Current	0mA	
Alarm Current @ 24V	35mA MAX	
Operating Temperature	-0° C to 50° C	
Minimum Continuous Temperature	0° C	
Maximum Humidity	95% RH Non Condensing	
IP Rating	IP43	
Size (including Plate)	100 x 100 x 75mm (100 x 100 x 85mm)	
Weight (including Plate)	230g (260g)	