

# ZetaNET Flashpoint Weatherproof (ZNET-FP/WP)



The ZetaNET Flashpoint Weatherproof is a loop powered device which combines an electronic sounder with a beacon or strobe unit. Whilst in alarm the flashpoint synchronisation is uniquely reset every 10 seconds to ensure that the beacon's flash rate remains in absolute synchronicity across the entire system.

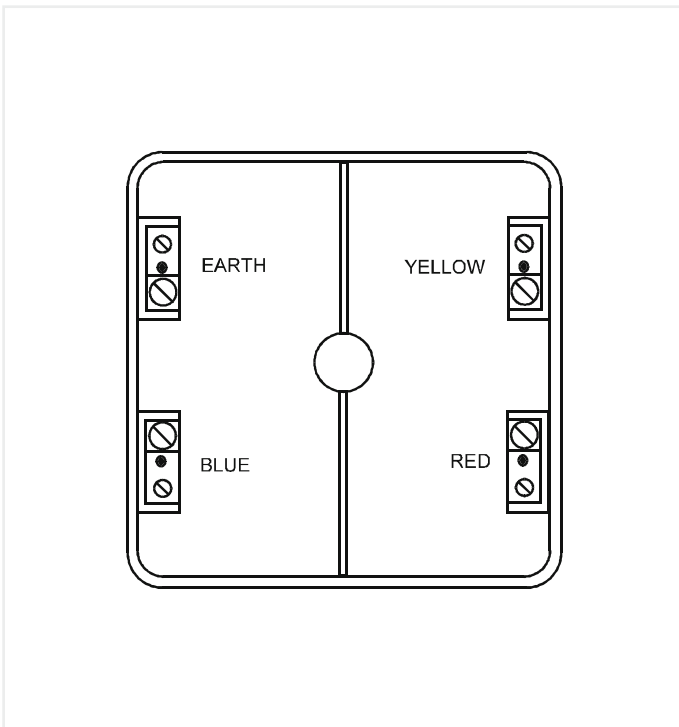
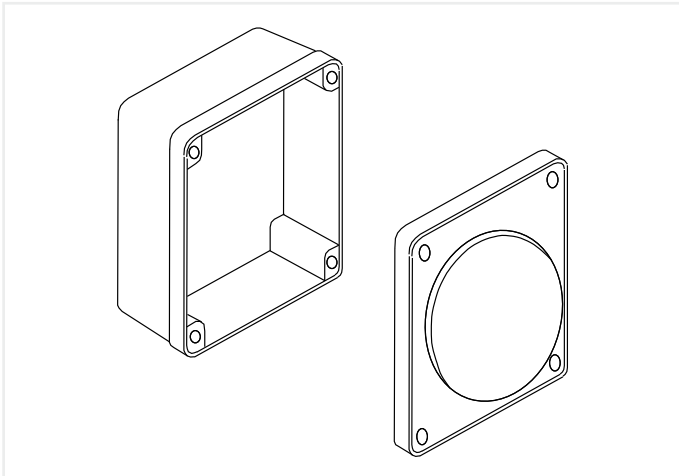
As with all ZetaNET sounders, it can be configured to use 3 of the available 7 sound patterns in a multi-stage alarm, plus 3 sound volumes.

The Flashpoint has been designed to comply with the European standard EN54-3.

The back box can be fitted at the time of installation with other first fix items - with the Flashpoint unit being fitted later.

The Flashpoint is connected to the back box using flying-lead terminations.

This is a weatherproof unit with an IP rating of IP 55.



Model	ZNET-FP/WP
Sounder Class	Type B
Operating Range	24 to 42V DC
Operating Current:	
Quiescent	<100uA
Sounder Low	1.5mA
Sounder Med	4mA
Sounder High	5mA
Beacon	6mA
Operating Temp.	-10° to +50° C
Maximum RH	95% Non Condensing
Dimensions	115 x 115 x 70mm deep
Sound Output (Sounder High / Continuous)	82dB(A) @ 1m Anechoic
IP Protection	WP is IP 55
System Compatibility	ZetaNET Fire Alarm System
Flammability	Class FV-2

