

Zeta Addressable Input/Output Unit

(ZIOU-DG)

Function

ZIOU-DG - Zeta Addressable Input/Output Unit with Isolator provides two voltage-free, single pole, change-over relay outputs, a single monitored switch input and an unmonitored, non-polarised opto-coupled input.

Features

The Input/Output Unit supervises one or more normally-open switches connected to a single pair of cables.

The Input/Output Unit is fitted with a bi-directional short-circuit isolator and will be unaffected by loop short-circuits on either loop input or output.

Electrical Considerations

ZIOU-DG - Zeta Addressable Input/Output Unit is loop powered and operates at 17-28V DC with protocol voltage pulses of 5-9V.

Protocol Compatibility

The unit will operate only with control equipment using the Zeta standard addressable protocol.

Mechanical Construction

The Input/Output Unit is normally supplied with a backbox for surface mounting. It is also available without the backbox for flush mounting. Both versions are designed for indoor use only.

Four LEDs, two red and two yellow, are visible through the front cover of the enclosure.

One red LED is illuminated to indicate that the relay is set. The second red LED is illuminated to indicate that the switch input is closed.



ZIOU-DG

One yellow LED is illuminated whenever a fault condition (open or short circuit) has been detected.

The other LED is illuminated whenever the built-in isolator has sensed a short-circuit loop fault.

The enclosure is moulded from the same polycarbonate as Zeta detectors.

Dimensions and weight of Input/Output Unit (surface mount):

150 x 90 x 48mm

240g



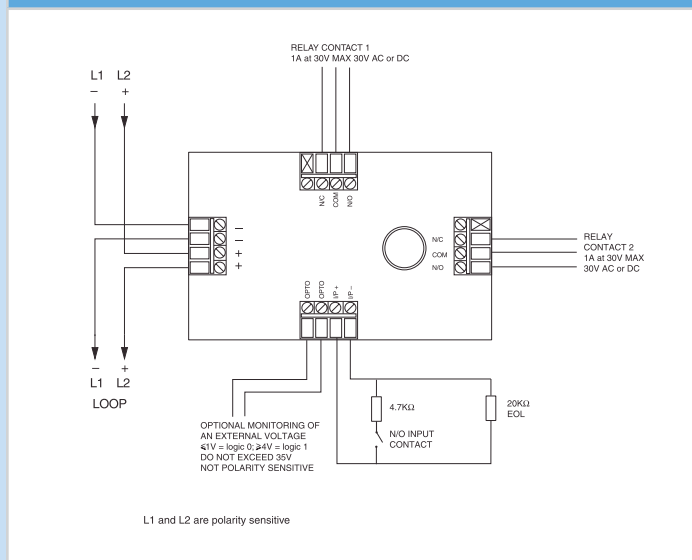
Zeta Addressable Input/Output Unit

(ZIOU-DG)

Technical Data

Minimum loop operating voltage in normal conditions	17V DC
Maximum loop operating voltage	28V DC
Maximum current consumption at 24V DC no protocol	
Switch-on surge, max 150ms	3.5mA
Quiescent, 20kΩ EOL fitted	1.25mA
Switch input closed 'switch closed' LED on	2.5mA
Switch input closed (LED disabled)	1.5mA
Any other condition (max 2 LEDs on)	3.5mA
Relay operated	2mA
Switch input monitoring voltage (open-circuit condition)	9-11V DC
Maximum cable resistance	50Ω
Opto-coupled input	
maximum voltage	35V DC
impedance	10kΩ
Relay output contact rating (inductive or resistive)	1A at 30V AC or DC
Relay output wetting current at 10mV DC	10μA
On resistance	0.2Ω
Maximum continuous current	1A
Maximum switching current	3A
Maximum load	20 Fyreye addressable detectors

Schematic Diagram And Wiring Connections



Operating temperature	-20°C to +70°C
Humidity (no condensation)	0-95%
Shock	to GEI 1-052
Vibration	
Impact	
IP rating	

CE MARKED

LOW VOLTAGE DIRECTIVE 73/23/EEC

No electrical supply greater than 50V AC rms or 75V DC should be connected to any terminal of this Input/ Output Unit.

EMC DIRECTIVE 89/336/EEC

ZIOU-DG - Zeta Addressable Input/Output Unit complies with the essential requirements of the EMC directive 89/336/EEC, provided that it is used as described in this PIN sheet and that the contact is not operated more than five times a minute or twice in any two seconds.