

Zeta Addressable Input Output Units

(ZIOU, ZIOU/230)



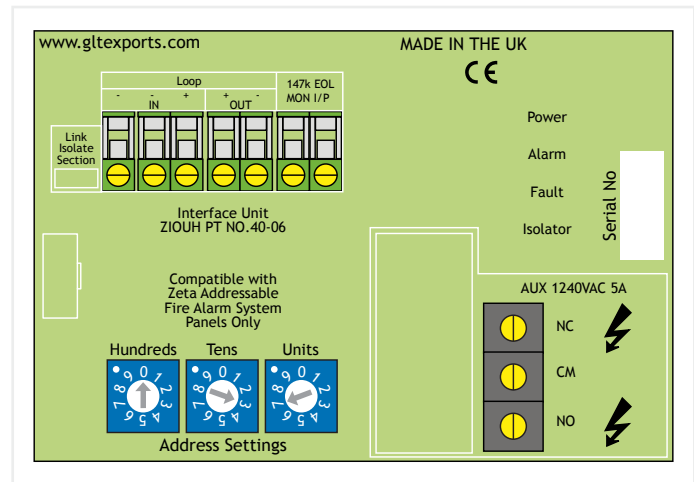
The Zeta addressable input output units (ZIOU & ZIOU/230) are used to interface external equipment to any Zeta addressable fire alarm system.

It has a switch monitoring input with a 47K end of line resistor and a volt free SELV relay output.

There are two versions available, one for switching low voltage (ZIOU) and the other for switching mains (ZIOU/230).

As with all addressable interfaces, the outputs are controlled by the panel to which they are connected. Consequently the interfaces will behave differently on different panels, i.e. some may allow the outputs to be programmed whilst others will have a default “pre-programmed” operation.

Model	ZIOU	ZIOU/230
Part No.	48-105	48-106
Operating Voltage	17 - 33V DC	
Quiescent Current	900uA	
Alarm Current	10.6mA	
Fault Current	2.8mA	
Isolating Current	7.3mA	
Input End Of Line	47K	
Device Normal Resistance (Return Value 16)	10K to 75K	
Device Open CCT Fault Resistance (Return Value 4)	85K to open circuit	
Device Alarm Resistance (Return Value 64)	0K to 5K	
Relay Rating	1 Amp SELV Only	5 Amp 230V AC Resistive
Operating Temperature	0°C to 50°C	
Maximum Humidity	95% RH Non Condensing	
IP Rating	IP43	
Size, Width x Height x Depth	127 x 88 x 59mm	
Weight	220g	



The unit has a built in loop short circuit isolator to help keep the unit operational in the event of a problem on the addressable loop wiring.

It has 3 indication LEDs on the front of the unit. One for alarm, one for local fault and one for addressable loop fault (isolator active).