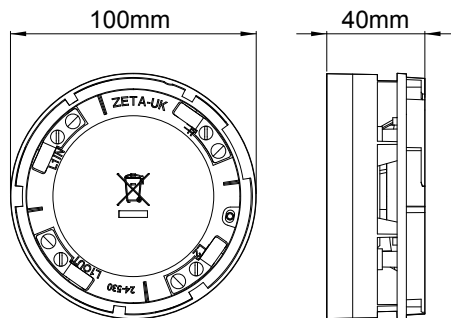
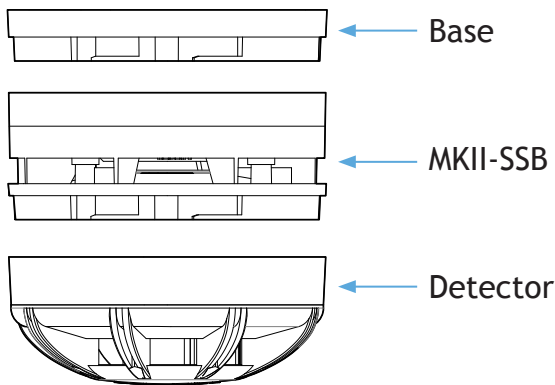


Fyreye MkII Sandwich Sounder

(MKII-SSB)



The Fyreye II Sandwich sounder base is a platform sounder that works with the Zeta Fyreye II protocol. The sounder can be triggered from its detectors remote LED output, allowing the sounders to be triggered individually. It can also be triggered using the Protocol's common sounder group command, meaning that it can be triggered even if its detector has been removed.

This sounder has been designed to be sandwiched between a common base and an addressable Fyreye II Detector. All loop cables are terminated at the detector base, with the sounder base clipping onto the common base. The sounder should then be secured with its grub screw to prevent unauthorised removal. The sounder does not need to be addressed. If it is to be started individually, it is controlled by the detector's remote LED output.

The sounder does not need to be addressed. If it is to be started individually, it is controlled by the detector's remote LED output.

Model	MKII-SSB
Part Number	80-224
Operating Voltage	17 - 28V DC
Quiescent Current	650µA
Alarm Current	5.5mA
Sound Output	Aprox 85 dB (Depending on tone - See Table)
Minimum Operating Temp.	0° C
Operating Temperature	-10° C to +55° C
Max Humidity	95% RH Non Condensing
Ip Rating	IP 21C
Size (mm)	100 x 40 (Without Detector)
Weight	160g

Alarm Tone Selection

The Sandwich sounder Supports alarm tone selection. The alarm tone can be set for the whole loop via the control panel. One of 16 tones can be chosen for the alarm tone.

No	Tone Description	Pattern	Frequency	Rate	dBA (Reverb. Chamber)
0	BS Fire (Default Zeta tone)	Alternating	800 & 970	1Hz (500ms-500ms)	96 (+/- 2dB)
1	BS Fire	Alternating	800 & 970	2Hz (250ms-250ms)	95 (+/- 2dB)
2	BS Fire	Sweep	800 to 970	1Hz (1 per second)	98 (+/- 2dB)
3	BS Fire	Sweep	800 to 970	7Hz (7 per second)	99 (+/- 2dB)
4	BS Fire	Sweep	800 to 970	50Hz (50 per second)	99 (+/- 2dB)
5	BS Fire	Alternating	510 & 610	1Hz (500ms-500ms)	100 (+/- 2dB)
6	German fire (DIN 33 404)	Sweep (DIN)	1200 to 500	1Hz	99 (+/- 2dB)
7	French fire (NFS 32-001)	Alternating	554 & 440	100ms-400ms	95 (+/- 2dB)
8	Dutch fire (NEN 2575)	Slow whoop	500 to 1200	3.5s sweep, 0.5 s silence, then repeat	98 (+/- 2dB)
9	PFEER Toxic Gas	Continuous	970	Steady	95 (+/- 2dB)
10	PFEER alert	Intermittent	970	0.5Hz (1s On/1s Off)	92 (+/- 2dB)
11/12/13 14/15	Reserved	-	-	-	-