

Fyreye Extra Conventional Optical Smoke Detector (FEOE2000)

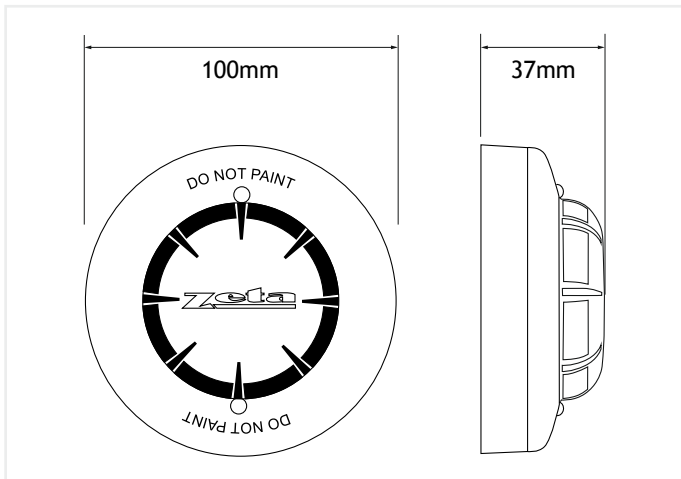


The Fyreye Extra optical smoke detector uses a pulsing IR LED & photodiode to detect IR scatter caused by smoke entering the chamber.

The detector is particularly suitable for detecting optically dense smoke, involving materials such as soft furnishings, PVC, plastic, foam and all similar materials which produce small visible particles (0.5 to 10µm).

The detector will work with most modern fire alarm control panels and comes supplied with a locking grub screw to prevent unauthorised head removal.

The Fyreye Extra range of detectors has an extra LED to improve detector identification in an alarm condition.



Features

- ✓ Designed to meet EN54 requirements
- ✓ Attractive design
- ✓ Dual LEDs for 360° visibility
- ✓ Lockable base to stop unauthorised removal
- ✓ Compatible with all Fyreye bases

Model	FEOE2000
Part No.	80-022
Detector Class	Optical Smoke
Design Standard	EN54 part 7
Approval	DIFT
Operating Voltage	9-33V DC
Quiescent Current	65µA
Alarm Current @ 24V DC	53mA MAX
Operating Temperature	-10°C to +50°C
Minimum Continuous Temperature	0°C
Maximum Humidity	95% RH non-condensing
Alarm Condition	2.4% obscuration per metre
Coverage	100m ²
IP Rating	IP43
Start-up Time	10 Seconds
Size (with Base)	100 x 37mm (101 x 53mm)
Weight (with Base)	95g (153g)