

Fyreye Extra Conventional Rate of Rise and Fixed Heat Detectors (FEHE2000 & FEFHE2000)

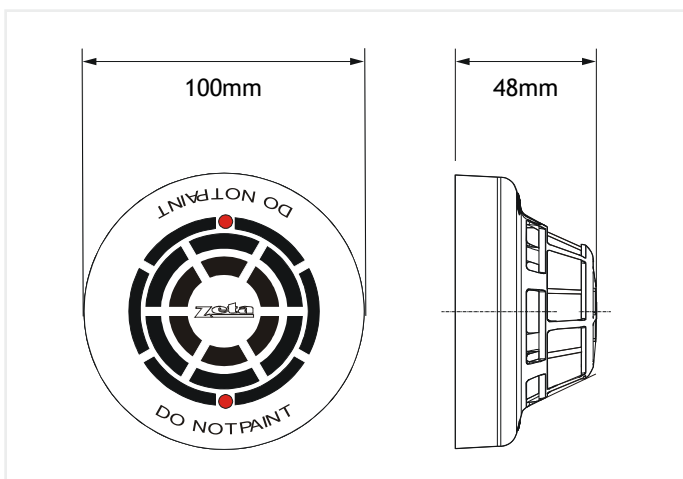


The Fyreye Rate of Rise heat detector (FEHE2000) uses a thermistor arrangement to sense a quick rise in temperature and also a final threshold temperature of 57°C. The Fyreye fixed heat detector (FEFHE2000) has a single thermistor arrangement that gives an alarm at a temperature of 90°C.

The detectors will work with most modern fire alarm control panels and comes supplied with a locking grub screw to prevent unauthorised head removal.



The Fyreye Extra range of detectors has an extra LED to improve detector identification in an alarm condition.



Features

- ✓ Designed to meet EN54 requirement
- ✓ Lockable to base to stop unauthorised removal
- ✓ Remote LED output
- ✓ Dual LEDs for 360° visibility
- ✓ Compatible with all Fyreye bases

Model	FEHE2000	FEFHE2000
Part No.	80-038	80-039
Detector Class	Rate of Rise & Fixed Heat Detector	Fixed Heat Only
Design Standard	EN54 part 5	
Approval	DIFT	
Operating Voltage	9-33V DC	
Quiescent Current	40µA	
Alarm Current @ 24V DC	34mA	
Operating Temperature	-10°C to +50°C	
Minimum Continuous Temperature	0°C	
Maximum Humidity	95% RH non-condensing	
Alarm Condition	Rate of rise or fixed heat trigger @ 57°C	Fixed heat trigger @90°C
Coverage	50m ²	
IP Rating	IP43	
Start-up Time	10 Seconds	
Size (with Base)	100 x 48 mm (101 x 64 mm)	
Weight (with Base)	75g (133g)	