

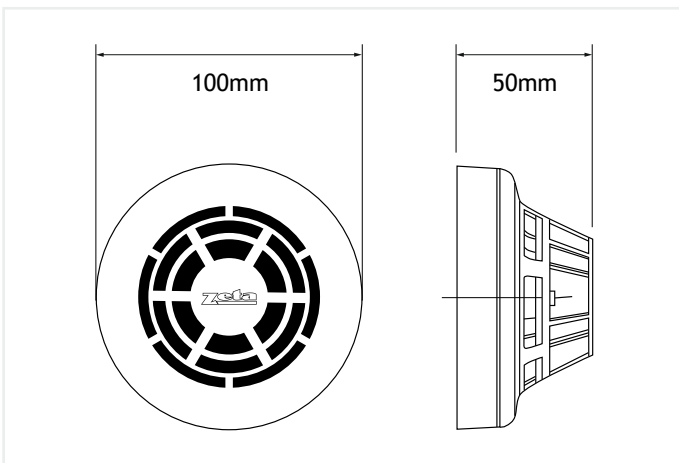
Fyreye Extra Analogue Addressable Combined Smoke & Heat Detector (FEAOH2000)



The Fyreye Extra analogue addressable combined smoke & heat detector works with the Zeta Addressable Protocol and is compatible with all current Zeta analogue addressable control panels.

The FEAOH2000 is a dual type detector, which reacts to both smoke & heat independently. It is suitable for use in places where traditionally an ionisation type detector may have been chosen.

It comes supplied with a locking grub screw to prevent unauthorised head removal.



Features

- ✓ Addressable combined smoke & heat detector
- ✓ DIFT approved
- ✓ Complies fully to EN54 parts 5 & 7
- ✓ Twin LEDs to improve alarm indication
- ✓ Includes locking grub screw to prevent unauthorised head removal

Model	FEAOH2000
Part No.	80-140
Detector Class	Optical Smoke, Rate of Rise & Fixed Heat
Design Standard	EN54 Part 5 & Part 7
Approval	DIFT
Operating Voltage	17-28V DC (Plus Protocol Signal)
Quiescent Current	520µA
Alarm Current	2.3mA
Operating Temperature	-10°C to +50°C
Minimum Continuous Temperature	0°C
Maximum Humidity	95% RH Non Condensing
Return Value of 55 (Nominal Alarm Level)	2.4% Obscuration per metre
Return value of 75	Rate of Rise Trigger
Return value of 95	Fixed heat trigger
Coverage	100m ²
IP Protection Rating	IP43
Start-up Time	30 Seconds
Size, Diameter x Height (with base)	100 x 48 mm (101 x 64 mm)
Weight (with base)	100g (158g)