

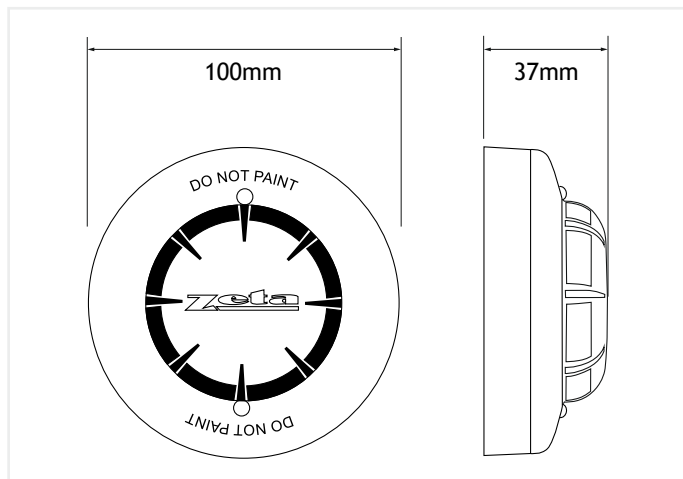
# Fyreye Extra Analogue Addressable Optical Smoke Detector (FEAOE2000)



The Fyreye Extra analogue addressable optical smoke detector is particularly suitable for detecting optically dense smoke, involving materials such as soft furnishings, PVC, plastic, foam and all similar materials which produce small visible particles (0.5 to 10  $\mu\text{m}$ ).

The FEAOE2000 works with the Zeta Addressable Protocol and is compatible with all current Zeta analogue addressable control panels.

It also comes supplied with a locking grub screw to prevent unauthorised head removal.



## Features

- ✓ Addressable optical smoke detector
- ✓ DIFT approved
- ✓ Complies fully to EN54 parts 5 & 7
- ✓ Twin LEDs to improve alarm indication
- ✓ Includes locking grub screw to prevent unauthorised head removal

Model	FEAOE2000
Part No.	80-125
Detector Class	Optical Smoke
Design Standard	EN54 Pt 7
Approval	DIFT
Operating Voltage	17 - 28V DC (Plus Protocol)
Quiescent Current	480 $\mu\text{A}$
Alarm Current	2.3mA
Operating Temperature	-10°C to +50°C
Minimum Continuous Temperature	0°C
Maximum Humidity	95% RH Non Condensing
Return Value of 55 (Nominal Alarm Level)	2.4% Obscuration per metre
Coverage	100m <sup>2</sup>
IP Protection Rating	IP43
Start-up Time	10 Seconds
Size, Diameter x Height (with base)	100 x 37 mm (101 x 53 mm)
Weight (with base)	95 g (153g)