

Fyreye Extra Analogue Addressable Heat Detectors (FEAHE2000 & FEAHHE2000)



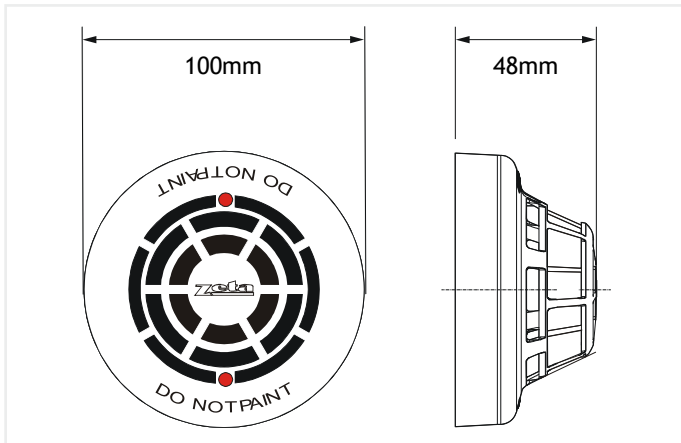
FEAHE2000

The FEAHE2000 is an analogue addressable rate of rise heat detector. It will respond with a value of 75 if the detector is triggered by a rate of rise alarm (that is a fast increase in temperature over a set period of time). The detector also responds to a fixed temperature of 57°C and will return a value of 95 if the detector is triggered by this condition.

FEAHHE2000



The FEAHHE2000 is an analogue addressable fixed heat detector. It will respond with a value of 95 if the detector is triggered through a fixed heat alarm of 90°C.



Features

- ✓ DIFT approved
- ✓ Complies fully to EN54 parts 5 & 7
- ✓ Twin LEDs to improve alarm indication
- ✓ Includes locking grub screw to prevent unauthorised head removal

Model	FEAHE2000	FEAHHE2000
Part No.	80-135	80-136
Detector Class	Rate of Rise & Fixed Heat	Fixed Heat Only
Design Standard	EN54 part 5	
Approval	DIFT	-
Operating Voltage	17 to 28V DC (Plus Protocol)	
Quiescent Current	440 µA	
Alarm Current @ 24V DC	2.4mA	
Operating Temperature	-10°C to 50°C	
Minimum Continuous Temperature	0°C	
Maximum Humidity	95% RH non condensing	
Alarm Condition	Rate of Rise or Fixed Heat trigger @ 57°C	Fixed Heat trigger @ 90°C
Compatible Bases	FE-CB Common Base, FE-IB Isolator Base, FEA-RB Addressable Relay Base, FEA-SB Addressable Sounder Base, FEA-SFB Addressable Sounder Flasher Base	
Coverage	50m ²	
IP Protection Rating	IP43	
Start-up Time	30 seconds	
Size, Diameter x Height (with base)	100 x 48 mm (101 x 64 mm)	
Weight (with base)	100g (158g)	