

For further information, including directional A-weighted sound output information please see doc GLT-271-6-3 Conventional Raptor Sounder operation Data, available from the manufacturer.

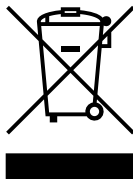
### Troubleshooting

| Problem                       | Possible Cause  |
|-------------------------------|---|
| Sounder Circuit Showing Fault | Check sounder wiring has correct polarity   |
|                               | Check that correct EOL is fitted (consult panel manual)                                 |
|                               | Check that cables have not been swapped (eg out +ve wire connected to out -ve terminal) |
|                               | Check sounder fuse at control panel   |
| No Sound Output from Sounder  | Check sounder wiring has polarity correct   |
|                               | Check sounder fuse at control panel   |

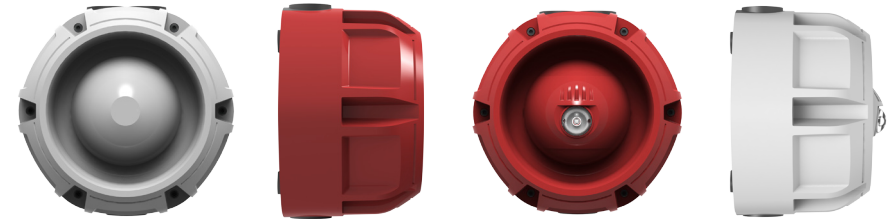
### Other Information

Like all electronic equipment, at the end of it`s working life this unit should not be disposed of in a refuse bin.

It should be taken to a local reprocessing site as per the guidelines of the WEEE directive, for correct disposal.



## CONVENTIONAL RAPTOR SOUNDER & SOUNDER BEACON INSTALLATION MANUAL



### Description

The Raptor conventional sounder is a large weatherproof horn sounder suitable for many indoor & outdoor applications.

It is available in red or white and has a selection of 22 tones.

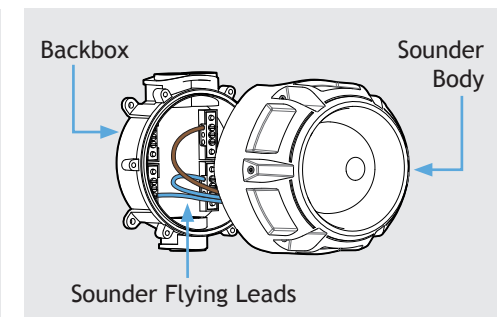
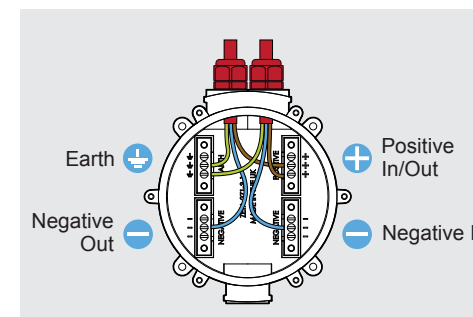
Termination of field wiring is made to the backbox for a clean first fix.

### Connections - First Fix

The loop wiring connects to terminals in the back box.

### Final Fix

- Set the sounder Tone (See Tone setting)
- Fix the BROWN sounder flying lead to the POSITIVE terminal
- Fix the first BLUE sounder flying lead to the LEFT NEGATIVE terminal
- Fix the second BLUE sounder flying lead to the RIGHT NEGATIVE terminal.
- Screw the sounder body to the backbox.



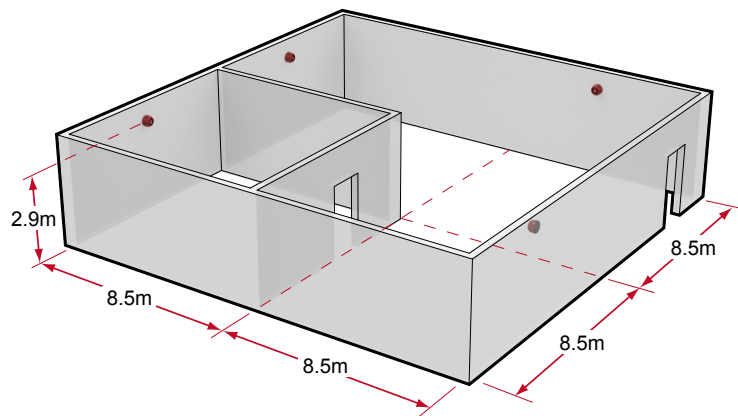
## Tone Setting

| Tone | SW1 | SW2 | SW3 | SW4 | SW5 | SW6 | SW7 | SW8 | Tone Description            | Pattern      | Frequency    | Rate  | Current (mA) Sounder Only | Current (mA) Sounder Beacon | dBA (Reverb. Chamber) |
|------|-----|-----|-----|-----|-----|-----|-----|-----|-----------------------------|--------------|--------------|---|---------------------------|-----------------------------|-----------------------|
| 0    | ON  | ON  | ON  | ON  | ON  | ON  | ON  | ON  | BS Fire (Default Zeta tone) | Alternating  | 800 & 970    | 1Hz (500ms-500ms)                           | 8                         | 59                          | 107.0 (+/- 3dB)       |
| 1    | OFF | ON  | ON  | ON  | ON  | ON  | ON  | ON  | BS Fire                     | Alternating  | 800 & 970    | 2Hz (250ms-250ms)                           | 8                         | 58                          | 106.6 (+/- 3dB)       |
| 2    | ON  | OFF | ON  | ON  | ON  | ON  | ON  | ON  | BS Fire                     | Sweep        | 800 to 970   | 1Hz (1 per second)                          | 8                         | 58                          | 105.1 (+/- 3dB)       |
| 3    | OFF | OFF | ON  | ON  | ON  | ON  | ON  | ON  | BS Fire                     | Sweep        | 800 to 970   | 7Hz (7 per second)                          | 8                         | 58                          | 104.2 (+/- 3dB)       |
| 4    | ON  | ON  | OFF | ON  | ON  | ON  | ON  | ON  | BS Fire                     | Sweep        | 800 to 970   | 50Hz (50 per second)                        | 8                         | 58                          | 103.3 (+/- 3dB)       |
| 5    | OFF | ON  | OFF | ON  | ON  | ON  | ON  | ON  | German fire (DIN 33 404)    | Sweep        | 1200 to 500  | 1Hz   | 8                         | 58                          | 104.2 (+/- 3dB)       |
| 6    | ON  | OFF | OFF | ON  | ON  | ON  | ON  | ON  | French fire (NFS 32-001)    | Alternating  | 554 & 440    | 100ms-400ms                                 | 8                         | 58                          | 102.5 (+/- 3dB)       |
| 7    | OFF | OFF | OFF | ON  | ON  | ON  | ON  | ON  | Dutch fire (NEN 2575)       | Slow whoop   | 500 to 1200  | 3.5s sweep, 0.5 s silence, then repeat      | 8                         | 58                          | 104.9 (+/- 3dB)       |
| 8    | ON  | ON  | ON  | OFF | ON  | ON  | ON  | ON  | PFEER Toxic Gas             | Continuous   | 970          | Steady                                      | 8                         | 58                          | 107.6 (+/- 3dB)       |
| 9    | OFF | ON  | ON  | OFF | ON  | ON  | ON  | ON  | PFEER alert                 | Intermittent | 970          | 0.5Hz (1s On/1s Off)                        | 8                         | 48                          | 107.4 (+/- 3dB)       |
| 10   | ON  | OFF | ON  | OFF | ON  | ON  | ON  | ON  | ISO-8201 (steady pulse)     | Intermittent | 970          | 3 x 500ms pulses, 1.5s silence, then repeat | 8                         | 48                          | 106.8 (+/- 3dB)       |
| 11   | OFF | OFF | ON  | OFF | ON  | ON  | ON  | ON  | ISO-8201 (Positive sweep)   | Intermittent | 800 to 970   | 3 x 500ms pulses, 1.5s silence, then repeat | 8                         | 48                          | 102.5 (+/- 3dB)       |
| 12   | ON  | ON  | OFF | OFF | ON  | ON  | ON  | ON  | ISO-8201 (Negative sweep)   | Intermittent | 970 to 800   | 3 x 500ms pulses, 1.5s silence, then repeat | 8                         | 48                          | 101.8 (+/- 3dB)       |
| 13   | OFF | ON  | OFF | OFF | ON  | ON  | ON  | ON  | General Purpose             | Continuous   | 2850         | Steady                                      | 8                         | 48                          | 99.5 (+/- 3dB)        |
| 14   | ON  | OFF | OFF | OFF | ON  | ON  | ON  | ON  | General Purpose             | Sweep        | 2400 to 2850 | 1 Hz  | 8                         | 48                          | 99.0 (+/- 3dB)        |
| 15   | OFF | OFF | OFF | OFF | ON  | ON  | ON  | ON  | General Purpose             | Sweep        | 2400 to 2850 | 7 Hz  | 8                         | 48                          | 87.8 (+/- 3dB)        |
| 16   | ON  | ON  | ON  | ON  | OFF | ON  | ON  | ON  | General Purpose             | Sweep        | 2400 to 2850 | 50 Hz                                       | 8                         | 48                          | 96.6 (+/- 3dB)        |
| 17   | OFF | ON  | ON  | ON  | OFF | ON  | ON  | ON  | General Purpose             | Alternating  | 2400 & 2850  | 2 Hz  | 8                         | 48                          | 99.5 (+/- 3dB)        |
| 18   | ON  | OFF | ON  | ON  | OFF | ON  | ON  | ON  | General Purpose             | Intermittent | 970          | 0.8Hz (250ms On/1s Off)                     | 8                         | 48                          | 101.6 (+/- 3dB)       |
| 19   | OFF | OFF | ON  | ON  | OFF | ON  | ON  | ON  | Swedish Air Raid            | Intermittent | 660          | 3.3Hz (150ms On/150msOff)                   | 8                         | 48                          | 103.4 (+/- 3dB)       |
| 20   | ON  | ON  | OFF | ON  | OFF | ON  | ON  | ON  | Swedish All Clear           | Continuous   | 660          | Steady                                      | 8                         | 48                          | 104.8 (+/- 3dB)       |
| 21   | OFF | ON  | OFF | ON  | OFF | ON  | ON  | ON  | Swedish General Purpose     | Intermittent | 660          | 1Hz (500ms-500ms)                           | 8                         | 48                          | 103.8 (+/- 3dB)       |

Any other switch setting gives tone 0

## Beacon Coverage

The Raptor conventional sounder with beacon (ZRPB/R & ZRPB/W) has a coverage pattern of W 2.8 - 8.5 and a flash rate of 0.5 Hz.



## Technical Data

| Model                   | ZRP/R                 | ZRP/W     | ZRPB/R            | ZRPB/W      |
|-------------------------|-----------------------|-----------|-------------------|-------------|
| Part Number             | 42-630                | 42-631    | 42-632            | 42-633      |
| Colour                  | Red                   | White     | Red               | White       |
| Flash Colour            | N/A                   | N/A       | White flash       | White flash |
| Flash Rate              | N/A                   | N/A       | 0.5 Hz            | 0.5 Hz      |
| Flasher Coverage        | N/A                   | N/A       | W 2.9 - 8.5       | W 2.9 - 8.5 |
| Sounder Output          | 107dB @1m +/- 3       |           |                   |             |
| Operating Voltage       | 17-35 V DC            |           |                   |             |
| Quiescent Current       | 0 mA                  |           |                   |             |
| Alarm Current           | 10 mA max             | 10 mA max | 70 mA max         | 70 mA max   |
| Sounder Type            | Type B (Outdoor use)  |           |                   |             |
| Operating Temperature   | -10oC to 55oC         |           |                   |             |
| Max Humidity            | 95% RH Non Condensing |           |                   |             |
| IP Rating               | IP65                  |           |                   |             |
| Size (H x W x D in mm ) | 146 x 150 x 98        |           | 146 x 150 x 107.5 |             |
| Weight (with Back Box)  | 540g                  |           | 550g              |             |