

25 Years of Manufacturing Excellence

zeta[®]

ALARM SYSTEMS

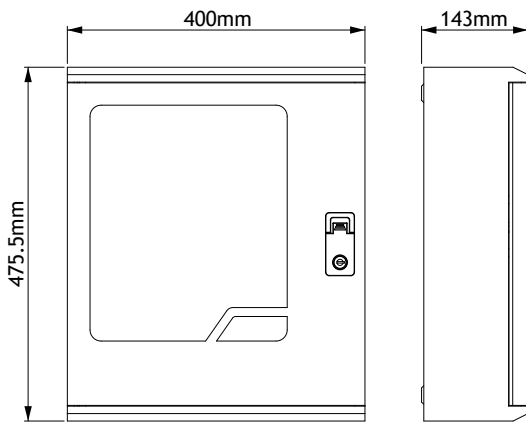


Fire Telephone



Assessed to ISO 9001: 2008
Certificate number 330

Introduction



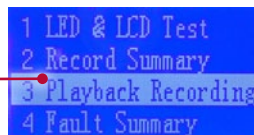
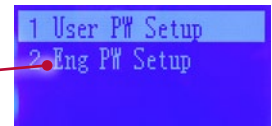
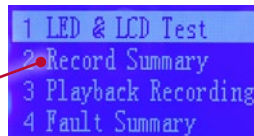
The Zeta Fire Telephone is a fully addressable system operating on a two wire open bus.

The ZAFT/M panel has a large LCD display with simple to use controls and capable of handling up to 70 addressable telephones and or telephone sockets

Model	ZAFT/M
Part No.	195-200
No. of Channels	2
System Voltage	24VDC +/- 4V
Total Watts	50 Watts
Max Capacity	70 ZATS/II or ZAT/II
Max Bus Length	1000 metres
Bus Voltage	18VDC ~ 26VDC
Standby Current	< 200mA
Full Load Current	< 500mA
Operating Temperature	< 50 °C
Relative Humidity	< 90% RH
Integral Power Supply	2.0 A
Dimensions (h x w x d)	475.5 x 400 x 143mm
Weight	7kg (Excluding Batteries)
Max Battery Sizes	2 x 7 Ah

Product Features

- ✓ Large LCD & easy controls
- ✓ Password controlled (user and engineer)
- ✓ Call recording (up to 20 minutes) and play back function
- ✓ Historic memory of fault, recordings and playback
- ✓ Real time and date display



Devices

ZATS/II

The ZATS/II Socket is an addressable device that can be surface or flush mounted and is equipped with LED indication which light up when called from the main panel.

To compliment the socket, the ZAHS/II extension handset can be used and by plugging the handset an automatic call is made to the main controller.



ZATS/II

ZAT/II

The ZAT is an addressable telephone handset, the address is set by an integral dip switch. A call is automatically made when the handset is lifted and an integral buzzer will ring when called by main controller.



ZAT/II

ZAHS/II

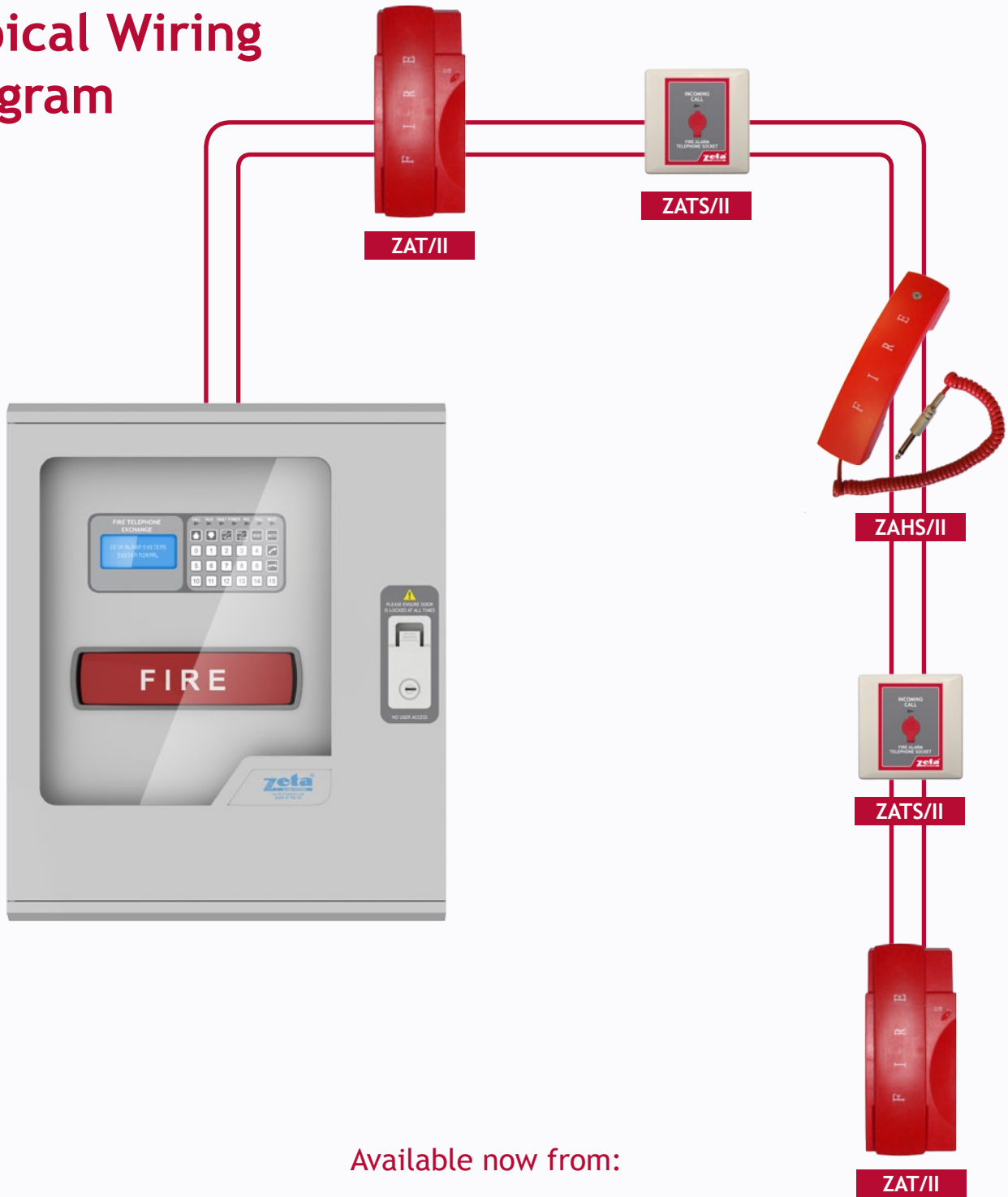
Hand held telephone with plug-in jack for use with ZATS/II.

Model	ZATS/II	ZAT/II	ZAHS/II
Part No.	195-210	195-214	195-212
Frequency Response	300 - 3400Hz		
Standby Current	< 2.5mA		
Off Hook Current	< 25mA		
Line Voltage Standby	15V DC to 28V DC		
Operating Temperature	0 - 50° C		
Relative Humidity	< 90% RH		



ZAHS/II

Typical Wiring Diagram



Available now from:

